

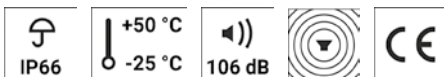
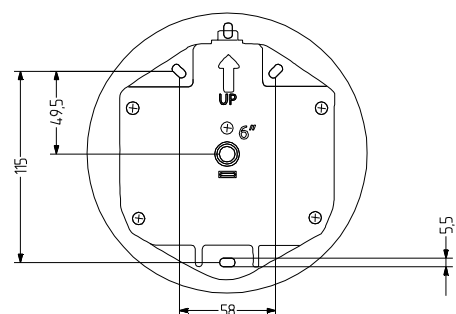
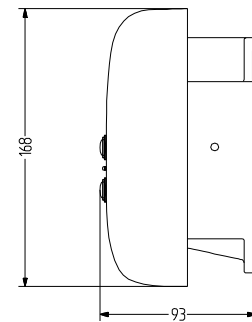
BEL Bell

- Electromechanical bell
- Loud and full, typical bell tone
- Suitable for universal applications and for installation on vessels and railways as well as in alarm systems
- High degree of protection IP66, dustproof and weatherproof
- Galvanised steel bell dome, powder-coated
- Colour: grey (all voltages), red (24 V DC)



TECHNICAL DATA

Housing	30% Glass fibre-reinforced polyamide nylon V-0 (UL94) FR & UV-stabilised
Type of mounting	vertical
Cable entry	Up to 4×M20 at the top and sides of the housing, loop-through possible
Connection technology	Solid wire up to 2.5 mm ² , stripped 10-13 mm Flexible wire up to 1.5 mm ² , stripped 10-13 mm, with wire end ferrule
Tone	Bell tone
Volume	106 dB
Operating temperature	-25 °C / +50 °C
Degree of protection	IP66
Bell dome	Ø168 mm in grey or red
Weight	1,6 kg



BEL

ORDER DATA

Nominal voltage	Nominal current (A)	Bell dome colour	
		grey	red
12 V DC	0,845	720 300 004	
24 V AC	1,2	720 300 305	
24 V DC	0,470	720 300 005	720 400 005
115 V AC	0,160	720 300 310	
230 V AC	0,070	720 300 313	

