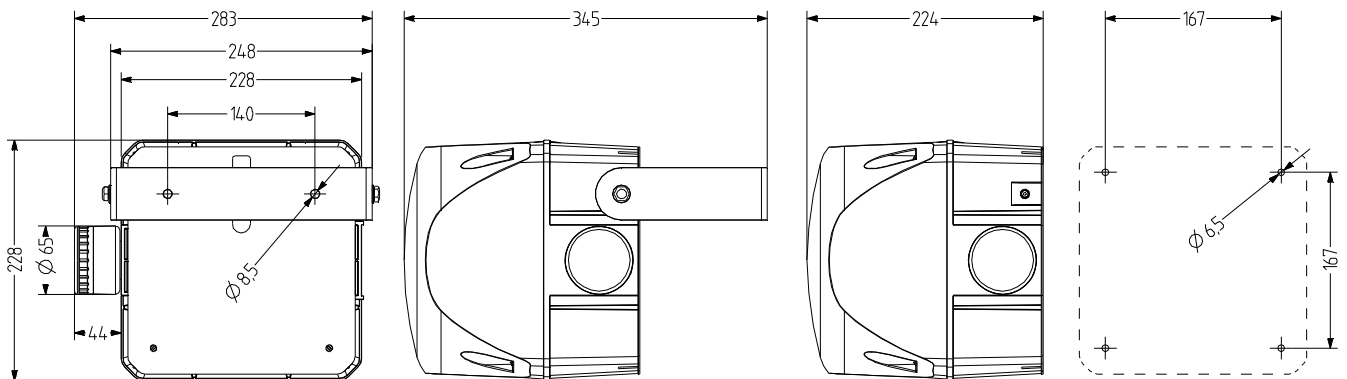


QSX LED steady/flashing beacon with buzzer indicator

- 228 mm cubic-design LED steady/flashing beacon with built-in buzzer indicator
- Max. 105 dB (A) sound pressure, infinitely adjustable
- High degree of protection IP 65 & impact resistance IK09
- UV-stabilised material
- Steady and flashing light, can be switched externally
- Beacon with very good frontal/lateral signalling effect
- 300 cd luminous intensity
- For industrial and general applications



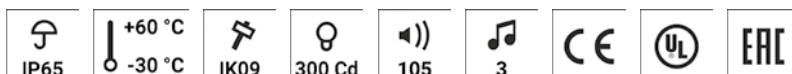
Internal diffuser and special lens pattern for optimal 360° signalling effect



TECHNICAL DATA

Housing	228 mm (square), Polycarbonate red, piezo buzzer black
Lens	Polycarbonate, ribbed inside orange, red, clear, blue, green or yellow
Type of mounting	any, any
Connection technology	Screw/plug-in terminal up to 2,5 mm ²
Beacon type	Steady beacon or Flashing beacon
Light source	High Power LEDs
Luminous intensity	300 Cd
Strobe/flash frequency	1,4 Hz

Tone	3 Tones, 3 Tones can be switched externally, Steady tone, Pulsing tone or Wobble tone
Volume	85-105 dB (can be adjusted with potentiometer)
Tone frequency	3.300 Hz
Duty cycle	100 %
Service life	Light source: 50.000 h
Operating temperature	-30 °C / +60 °C
Degree of protection	IP65
Impact resistance	IK09
Weight	2,77 kg



Qsx

ORDER DATA

Lens colour	Nominal voltage	Voltage range (V)	Nominal current (A)	Order number
orange	24 V AC	+/- 10 %	1,860	876 461 405
	110-120 V AC	+/- 10 %	0,392	876 461 310
	230-240 V AC	+/- 10 %	0,394	876 461 313
red	110-120 V AC	+/- 10 %	0,392	876 462 310
	230-240 V AC	+/- 10 %	0,394	876 462 313
	24 V AC/DC	+/- 10 %	1,860	876 462 405
clear	110-120 V AC	+/- 10 %	0,392	876 464 310
	230-240 V AC	+/- 10 %	0,394	876 464 313
	24 V AC/DC	+/- 10 %	1,860	876 464 405
blue	110-120 V AC	+/- 10 %	0,392	876 465 310
	230-240 V AC	+/- 10 %	0,394	876 465 313
	24 V AC/DC	+/- 10 %	1,860	876 465 405
green	110-120 V AC	+/- 10 %	0,392	876 466 310
	230-240 V AC	+/- 10 %	0,394	876 466 313
	24 V AC/DC	+/- 10 %	1,860	876 466 405
yellow	110-120 V AC	+/- 10 %	0,392	876 467 310
	230-240 V AC	+/- 10 %	0,394	876 467 313
	24 V AC/DC	+/- 10 %	1,860	876 467 405



AMK



AB4



AG4



AKV

ACCESSORIES

Type	Type of accessory	Weight	Order number
AMK	Mounting set for combining several pieces of signalling equipment of the same size	10 g	874 010 900
AB4	Mounting set for metal bracket for mounting in any direction (e.g. on mounting platforms)		874 034 900
AG4	Flat seal for installation on smooth surfaces		874 024 900
AKV	Cable gland M20x1,5		698 800 026

TONE TABLE

Tone on terminal

La	N	Lb	
X	X		pulsing tone
	X	X	wobble tone
X	X	X	continuous tone



Electronic