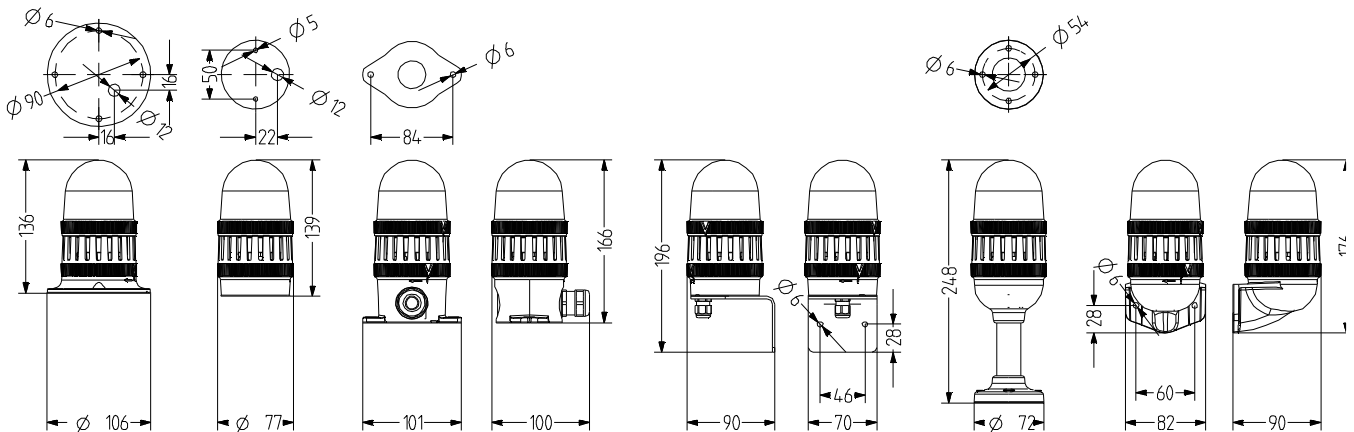


TDC+TDE

- Ø 75 mm LED multi-strobe beacon combined with Piezo buzzer
- Modular design - 7 types of mounting
- User-friendly connection technology
- 2 different strobe patterns, can be switched externally
- Up to 100 dB (A) sound pressure, infinitely adjustable
- Steady or pulsing tone can be selected via DIP switch



TECHNICAL DATA - VISUAL EQUIPMENT

| | |
|------------------------|--|
| Housing | Ø 75 mm, Polycarbonate black (RAL 9005) |
| Lens | Polycarbonate, ribbed inside orange, red, clear, blue, green or yellow |
| Type of mounting | horizontal, vertical or Tube mounting |
| Connection technology | Screw terminal 2,5 mm ² |
| Leakage current | 0,003 A (PLC-suitable) |
| Beacon type | LED steady beacon or LED flashing beacon |
| Light source | 16 |
| Strobe/flash frequency | 2 Hz |
| Duty cycle | 100 % |
| Service life | Light source: >50.000 h |
| Operating temperature | -30°C/+60°C |
| Degree of protection | IP66 & UL Type 4/4x/13 |
| Impact resistance | IK08 |
| Weight | 87 g |

TECHNICAL DATA - AUDIBLE EQUIPMENT

| | |
|-----------------------|--|
| Housing | Ø 75 mm Polycarbonate black (RAL 9005) |
| Type of mounting | horizontal, vertical or Tube mounting |
| Connection technology | Screw terminal |
| Leakage current | 0,003 A |
| Tone | 2 Tones, 1 Tones can be switched externally, Steady tone or Pulsing tone |
| Volume | 88-100 dB (can be adjusted with potentiometer) |
| Tone frequency | 2.800 Hz |
| Duty cycle | 100 % |
| Operating temperature | -30 °C / +60 °C |
| Degree of protection | IP66 & UL Type 4/4x/13 |
| Impact resistance | IK08 |
| Weight | 128 g |



TDC+TDE

VISUAL EQUIPMENT: TDC

| Type | Lens colour | Nominal voltage | Voltage range (V) | Nominal current (A) | Order number |
|--------|--------------|-----------------|-------------------|---------------------|--------------|
| TDC | orange | 24 V AC/DC | 18-27 V AC | 0,220 | 859 501 405 |
| | | | 20-32 V DC | 0,140 | |
| | | 110-120 V AC | 75-132 | 0,072 | 859 501 310 |
| | red | 24 V AC/DC | 18-27 V AC | 0,220 | 859 502 405 |
| | | | 20-32 V DC | 0,140 | |
| | | 110-120 V AC | 75-132 | 0,072 | 859 502 310 |
| | clear | 24 V AC/DC | 18-27 V AC | 0,220 | 859 504 405 |
| | | | 20-32 V DC | 0,140 | |
| | | 110-120 V AC | 75-132 | 0,072 | 859 504 310 |
| blue | 24 V AC/DC | 18-27 V AC | 0,220 | 859 505 405 | |
| | | 20-32 V DC | 0,140 | | |
| | 110-120 V AC | 75-132 | 0,072 | 859 505 310 | |
| green | 24 V AC/DC | 18-27 V AC | 0,220 | 859 506 405 | |
| | | 20-32 V DC | 0,140 | | |
| | 110-120 V AC | 75-132 | 0,072 | 859 506 310 | |
| yellow | 24 V AC/DC | 18-27 V AC | 0,220 | 859 507 405 | |
| | | 20-32 V DC | 0,140 | | |
| | 110-120 V AC | 75-132 | 0,072 | 859 507 310 | |
| | | 230-240 V AC | 150-264 | 0,066 | 859 507 313 |

AUDIBLE EQUIPMENT: TDE

| Type | Nominal voltage | Voltage range (V) | Nominal current (A) | Mains frequency | Order number |
|------|-----------------|-------------------|---------------------|-----------------|--------------|
| TDE | 24 V AC/DC | 18-27 V AC | 0,048 | 50-60 Hz | 859 560 405 |
| | | 20-32 V DC | 0,030 | | |
| | 110-120 V AC | 75-132 | 0,040 | 50-60 Hz | 859 560 310 |
| | 230-240 V AC | 150-264 | 0,040 | 50-60 Hz | 859 560 313 |



TMW



TMF



TMV



TMR



TNL



TNW

ORDER DATA - BASE

| Type | Type of accessory | Type of mounting | Tube length | Weight | Order number |
|------|---|------------------|-------------|--------|--------------|
| TMW | Base for horizontal mounting, with internal mounting holes | horizontal | | 46 g | 859 500 900 |
| TMF | Base for horizontal mounting, with external mounting holes | horizontal | | 71 g | 859 510 900 |
| TMV | Base for vertical mounting | vertical | | 83 g | 859 520 900 |
| TMR | Tube base for tube mounting, with aluminium tube/plastic foot | Tube mounting | 100 mm | 128 g | 859 532 900 |
| | | | 250 mm | 176 g | 859 533 900 |
| TNL | Base for horizontal mounting, with side cable entry | horizontal | | 94 g | 859 515 900 |
| TNW | Tube base for NPT 1/2" tube mounting | Tube NPT 1/2" | | 54 g | 859 540 900 |



TVS



PV1

ACCESSORIES

| Type | Type of accessory | Weight | Order number |
|------|--|--------|--------------|
| TVS | Metal bracket made possible with TMW cable entry from bottom (incl. cable gland M12 × 1.5) | 218 g | 859 550 900 |
| PV1 | Ventilation element for optimum pressure equalisation, protection against condensation forming, compatible with TMW, TMF, TNL, UMW, UMF, UNL | | 859 100 000 |

