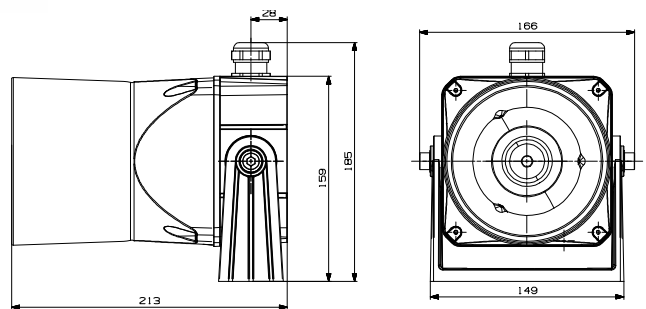
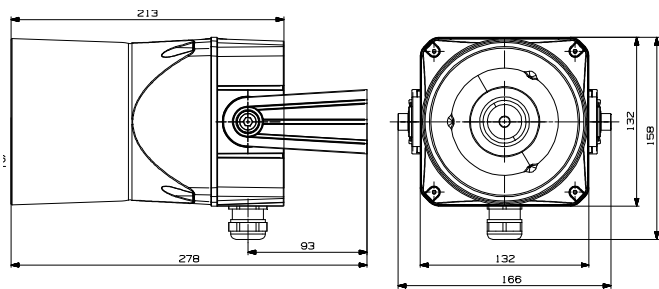
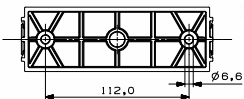


# ASML Multi tone alarm sounder

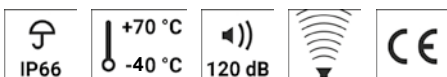
- 132 mm square multi-tone sounder
- max. 120dB (A) sound pressure level
- high-protection class IP66
- optimum alignment due to pre-assembled mounting bracket
- 15 tones externally controllable
- sound pressure adjustable between 100-120 dB with potentiometer
- incl. metal cable gland
- suitable for use in the maritime sector due to stainless steel screws and coated electronics



## TECHNICAL DATA

Nominal voltage // current:	24VDC // 450mA
Voltage range:	20-28VDC
Inrush current:	< 3,0A @ 24VDC
On-time // off-time delay	ca. 10ms // ca. 20ms
Maximum external pulsing frequency	10 Hz
Electrical connection:	Plugable terminal block, 7-position

Ingress protection:	IP66
Housing material:	Polycarbonate
Mounting option:	Via mounting bracket
Mounting direction:	Upright, upside down or vertical
Temperature range (operation):	-40°C .. +70°C
Temperature range (storage):	-40°C .. +85°C
Weight:	1.675 g



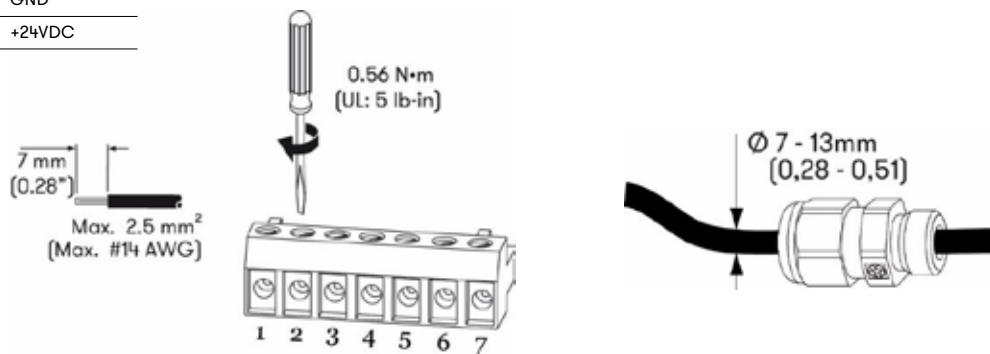
# ASML

## ORDER DATA

Nominal voltage	Voltage range [V]	Leakage current	Order number
24 V DC	20-28 V DC	0,003 A	874 250 005

## ELECTRICAL CONNECTION / TONE CONTROL

Terminal	Voltage
1	GND
2	+24VDC



## TONE TABLE

Tone type selection via bridging of terminal 3 to 4-5-6-7

No.	Terminal	Tone type	Pictogram	Tone frequency [Hz]	Poti	Time
1	-	Continuous tone	—————	500...1500		
2	3 - 4	DIN-emergency signal	⚡	-	-	
3	3 - 5	Interrupted tone	- - - - -	500...1500	Poti1	0,5...1,5Hz
4	3 - 4-5	Triangle tone	▲▲▲▲	1000...3000	Poti1, Poti2	2...22Hz
5	3 - 6	Sine tone	~	500...1500	Poti1, Poti2	0,5...1,5Hz
6	3 - 4-6	Continuous tone	—————	500...1500	Poti2	
7	3 - 5-6	Horn (continuous)	—————	100-350	Poti2	
8	3 - 4-5-6	Interrupted tone	- - - - -	500...1500	Poti2	
9	3 - 7	saw tooth tone ascending	▲▲▲▲	500...1500	Poti1, Poti2	0,5...1,5Hz
10	3 - 4-7	Alternating tone	□□□□	500...1500	Poti1, Poti2	0,5...1,5Hz
11	3 - 5-7	saw tooth tone descending	▼▼▼▼	500...1500	Poti1, Poti2	0,5...1,5Hz
12	3 - 4-5-7	Siren tone	📢	500...1500	Poti1, Poti2	2...4 s
13	3 - 6-7	Gong	—	500...1500	Poti2	1...4 s
14	3 - 4-6-7	2-tone Gong	⏏	550-440	-	2...5 s
15	3 - 5-6-7	3-tone Gong	⏏	660-550-440	-	2,3...6 s
16	3 - 4-5-6-7	Tone off		-	-	-

Frequency adjustment, timing and sound level can be adjusted with potentiometer