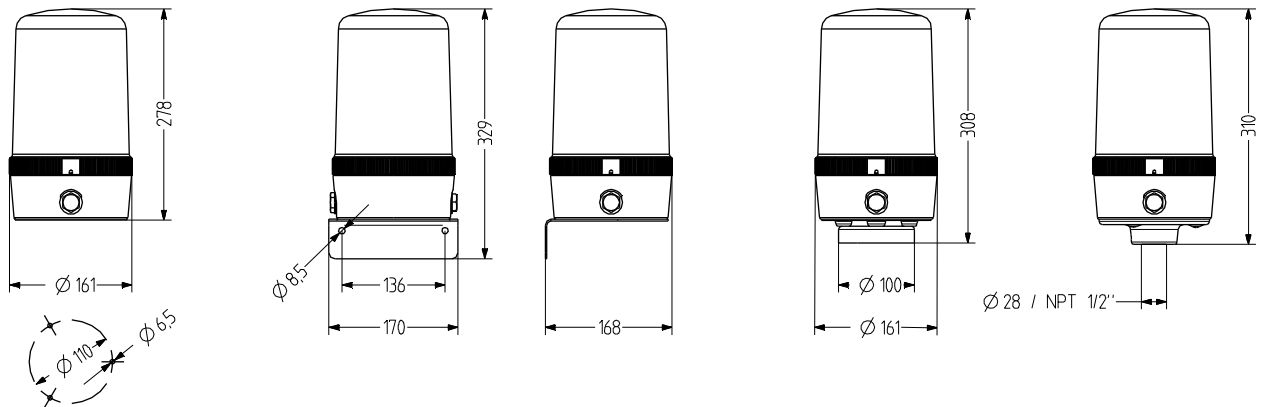


MRL Rotating mirror beacon

- Ø 160 mm rotating mirror beacon
- Synthetic bearings – high operating safety
- Modular design – easy to mount/service
- 4 types of mounting
- 50 W halogen bulb included
- High degree of protection IP 65
- Speed control of 90/180 rpm, constant speed independent of temperature and environment
- For industrial and general applications
- Captive safety screw for lens



TECHNICAL DATA

Housing	Ø 160 mm, Polycarbonate black
Lens	Polycarbonate, smooth orange, red, clear, blue, green or yellow
Type of mounting	horizontal, vertical, Tube mounting or Magnetic mounting
Cable entry	side: 2× M20 with blind plugs (optional cable gland 5–12 mm), bottom: Grommet 5–7 mm
Connection technology	Terminal 2,5 mm ²
Leakage current	0,003 A (PLC-suitable)
Beacon type	Rotating beacon

Light source	Halogen bulb
Luminous intensity	50 W
Speed of rotation	90/180 rpm switchable
Duty cycle	100 %
Service life	Light source: 1.500 - 5.000 h / Motor: 5.000 h
Operating temperature	-25°C/+50°C
Degree of protection	IP65 & UL Type 4/4x/13
Weight	970 g



MRL

ORDER DATA

Lens colour	Nominal voltage	Voltage range [V]	Nominal current [A]	Type of mounting		
				horizontal	Tube Ø 30 mm	Tube NPT 1"
orange	12 V AC/DC	+/- 10 %	4,200	419 101 404	419 301 404	419 311 404
	24 V AC/DC	+/- 10 %	2,300	419 101 405	419 301 405	419 311 405
	110-120 V AC	+/- 10 %	0,580	419 101 310	419 301 310	419 311 310
	230-240 V AC	+/- 10 %	0,390	419 101 313	419 301 313	419 311 313
red	12 V AC/DC	+/- 10 %	4,200	419 102 404	419 302 404	419 312 404
	24 V AC/DC	+/- 10 %	2,300	419 102 405	419 302 405	419 312 405
	110-120 V AC	+/- 10 %	0,580	419 102 310	419 302 310	419 312 310
	230-240 V AC	+/- 10 %	0,390	419 102 313	419 302 313	419 312 313
clear	12 V AC/DC	+/- 10 %	4,200	419 104 404	419 304 404	419 314 404
	24 V AC/DC	+/- 10 %	2,300	419 104 405	419 304 405	419 314 405
	110-120 V AC	+/- 10 %	0,580	419 104 310	419 304 310	419 314 310
	230-240 V AC	+/- 10 %	0,390	419 104 313	419 304 313	419 314 313
blue	12 V AC/DC	+/- 10 %	4,200	419 105 404	419 305 404	419 315 404
	24 V AC/DC	+/- 10 %	2,300	419 105 405	419 305 405	419 315 405
	110-120 V AC	+/- 10 %	0,580	419 105 310	419 305 310	419 315 310
	230-240 V AC	+/- 10 %	0,390	419 105 313	419 305 313	419 315 313
green	12 V AC/DC	+/- 10 %	4,200	419 106 404	419 306 404	419 316 404
	24 V AC/DC	+/- 10 %	2,300	419 106 405	419 306 405	419 316 405
	110-120 V AC	+/- 10 %	0,580	419 106 310	419 306 310	419 316 310
	230-240 V AC	+/- 10 %	0,390	419 106 313	419 306 313	419 316 313
yellow	12 V AC/DC	+/- 10 %	4,200	419 107 404	419 307 404	419 317 404
	24 V AC/DC	+/- 10 %	2,300	419 107 405	419 307 405	419 317 405
	110-120 V AC	+/- 10 %	0,580	419 107 310	419 307 310	419 317 310
	230-240 V AC	+/- 10 %	0,390	419 107 313	419 307 313	419 317 313



Rotating



ACCESSORIES

Type	Type of accessory	Weight	Order number
WML	Metal bracket for wall mounting	510 g	819 200 900
MGL	Magnetic fixing	1,03 kg	819 203 900
AKV	Cable gland M20x1,5		698 800 026
MBK	Earthing kit for UL-compliant installation		819 201 900
MQL	Mounting plate for UL-compliant installation		819 202 900

REPLACEMENT PARTS

Type	Type of accessory	Nominal voltage	Output	Order number
HL51	Halogen bulb	12 V	50,000 W	890 050 904
HL52	Halogen bulb	24 V	50,000 W	890 050 905
HL55	Halogen bulb	110-120 V	50,000 W	890 050 910
HL56	Halogen bulb	230-240 V	50,000 W	890 050 913