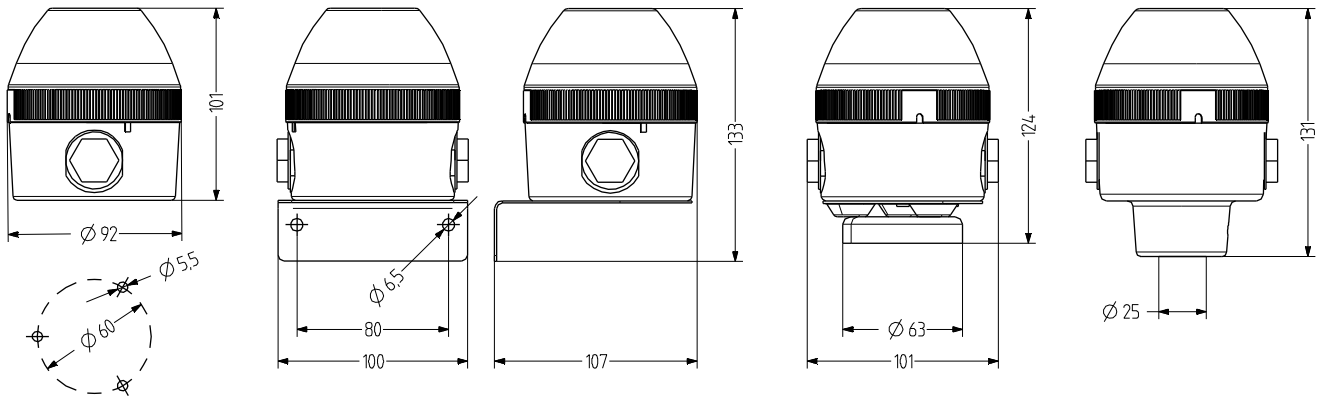


# NFS-HP LED multi strobe beacon

- Ø 90 mm LED high-performance strobe beacon
- Wide voltage range due to switched-mode power supply technology
- Very good signalling effect even in bright conditions
- High degree of protection IP 65 & IP 67
- Modern LED technology/electronics – 3 high-power LEDs
- 3 different strobe patterns, can be switched externally



## TECHNICAL DATA

Housing	Ø 90 mm, Polycarbonate black (RAL 9005)
Lens	Polycarbonate, ribbed inside orange, red, clear, blue, green or yellow
Type of mounting	horizontal, vertical, Tube mounting or Magnetic mounting
Cable entry	side: 2× M20 × 1.5 with blind plugs (optional cable gland 7-14 mm), bottom: Grommet 5-7 mm
Connection technology	Terminal 2,5 mm <sup>2</sup>
Leakage current	0,003 A (PLC-suitable)

Beacon type	LED multi strobe beacon
Light source	3 High Power LEDs
Strobe/flash frequency	Double strobe 1.4 Hz; 6× strobe 1.0 Hz; multi strobe
Duty cycle	100 %
Service life	Light source: >50.000 h
Operating temperature	-30°C/+60°C
Degree of protection	IP65, IP67 & UL Type 4/4x/13
Weight	280 g (horizontal base)



# NFS-HP

## ORDER DATA

Lens colour	Nominal voltage	Voltage range [V]	Nominal current [A]	Type of mounting	
				horizontal	Tube Ø 25 mm
orange	24-48 V AC/DC	16-52 V AC 16-65 V DC	0,770 0,660	442 151 408	442 351 408
	110-240 V AC/DC	80-265	0,170	442 151 413	442 351 413
red	24-48 V AC/DC	16-52 V AC 16-65 V DC	0,770 0,660	442 152 408	442 352 408
	110-240 V AC/DC	80-265	0,170	442 152 413	442 352 413
clear	24-48 V AC/DC	16-52 V AC 16-65 V DC	0,770 0,660	442 154 408	442 354 408
	110-240 V AC/DC	80-265	0,170	442 154 413	442 354 413
blue	24-48 V AC/DC	16-52 V AC 16-65 V DC	0,770 0,660	442 155 408	442 355 408
	110-240 V AC/DC	80-265	0,170	442 155 413	442 355 413
green	24-48 V AC/DC	16-52 V AC 16-65 V DC	0,770 0,660	442 156 408	442 356 408
	110-240 V AC/DC	80-265	0,170	442 156 413	442 356 413
yellow	24-48 V AC/DC	16-52 V AC 16-65 V DC	0,770 0,660	442 157 408	442 357 408
	110-240 V AC/DC	80-265	0,170	442 157 413	442 357 413



Strobe



WMS



MSR



MMR



MGS



AKV



MBK



MQS

## ACCESSORIES

Type	Type of accessory	Tube length	Weight	Order number
WMS	Metal bracket for wall mounting		160 g	817 200 900
MMR	Tube mounting Aluminium with plastic foot	50 mm		698 806 007
		100 mm		698 806 008
		250 mm		698 806 009
		400 mm		698 806 010
MSR	Tube mounting Stainless steel with die-cast zinc foot, black (powder-coated)	50 mm		698 806 021
		100 mm		698 806 022
		250 mm		698 806 023
		400 mm		698 806 024
MGS	Magnetic fixing		340 g	817 203 900
AKV	Cable gland M20x1,5			698 800 026
MBK	Earthing kit for UL-compliant installation			819 201 900
MQS	Mounting plate for UL-compliant installation			817 202 900