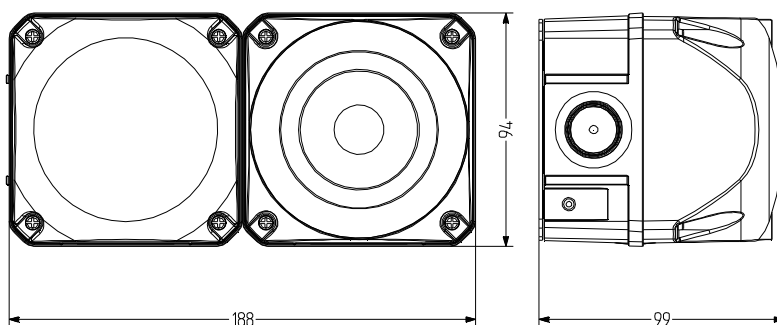
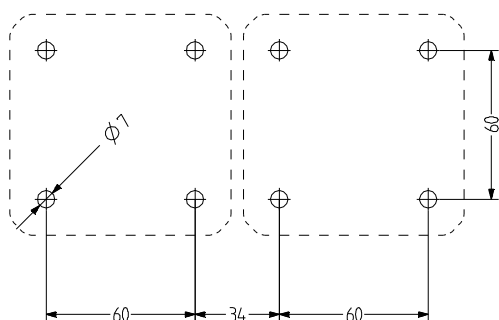


## ASS-T+QFS

- Combination of 94 mm cubic-design multi-tone alarm sounder and LED multi-strobe beacon
- Beacon with good frontal/lateral signalling effect
- High degree of protection IP 66
- UV-stabilised material
- 32 tones can be selected, 3 tones can be switched externally
- Max. 108 dB (A) sound pressure, infinitely adjustable
- 5 J strobe energy
- For industrial and general applications

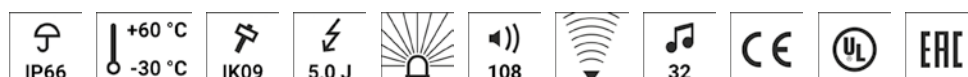


### TECHNICAL DATA - VISUAL EQUIPMENT

Housing	94 mm (square), Polycarbonate red (RAL 3000)
Lens	Polycarbonate, ribbed inside orange, red, clear, blue, green or yellow
Type of mounting	any
Cable entry	Back: Grommet 5-10 mm, optional side cable entry with cable gland (on both sides) (accessory type AKV)
Connection technology	Screw/plug-in terminal 2,5 mm <sup>2</sup>
Leakage current	0,003 A (PLC-suitable)
Beacon type	Xenon strobe beacon
Light source	Xenon tube
Luminous intensity	5 J Strobe energy
Strobe/flash frequency	1 Hz
Duty cycle	100 %
Service life	Light source: 5 million flashes
Operating temperature	-30°C/+60°C
Degree of protection	IP66 & UL Type 4/4x/13
Impact resistance	IK09
Weight	300 g

### TECHNICAL DATA - AUDIBLE EQUIPMENT

Housing	Polycarbonate red (RAL 3000)
Type of mounting	any, Sound outlet opening at bottom or horizontal
Cable entry	Back: Grommet 5-10 mm Side: AKV cable gland M20 × 1.5 7-14 mm can be mounted
Connection technology	Screw/plug-in terminal up to 2,5 mm <sup>2</sup>
Leakage current	0,003 A
Tone	32 Tones, 3 Tones can be switched externally, see tone table
Volume	108 dB (can be adjusted with potentiometer)
Tone frequency	150-2.900 Hz
Duty cycle	100 %
Operating temperature	-30 °C / +60 °C
Degree of protection	IP66 & UL Type 4/4x/13
Impact resistance	IK09
Weight	300 g



# ASS-T+QFS

## VISUAL EQUIPMENT: QFS

Type	Lens colour	Nominal voltage	Voltage range (V)	Nominal current (A)	Order number
QFS	orange	24-48 V AC/DC	18-53	0,450	874 561 408
		110-120 V AC	+/- 10 %	0,150	874 561 310
		230-240 V AC	+/- 10 %	0,075	874 561 313
	red	24-48 V AC/DC	18-53	0,450	874 562 408
		110-120 V AC	+/- 10 %	0,150	874 562 310
		230-240 V AC	+/- 10 %	0,075	874 562 313
	clear	24-48 V AC/DC	18-53	0,450	874 564 408
		110-120 V AC	+/- 10 %	0,150	874 564 310
		230-240 V AC	+/- 10 %	0,075	874 564 313
blue	24-48 V AC/DC	18-53	0,450	874 565 408	
	110-120 V AC	+/- 10 %	0,150	874 565 310	
	230-240 V AC	+/- 10 %	0,075	874 565 313	
green	24-48 V AC/DC	18-53	0,450	874 566 408	
	110-120 V AC	+/- 10 %	0,150	874 566 310	
	230-240 V AC	+/- 10 %	0,075	874 566 313	
yellow	24-48 V AC/DC	18-53	0,450	874 567 408	
	110-120 V AC	+/- 10 %	0,150	874 567 310	
	230-240 V AC	+/- 10 %	0,075	874 567 313	

## AUDIBLE EQUIPMENT: ASS-T

Type	Nominal voltage	Voltage range (V)	Nominal current (A)	Mains frequency	Order number
ASS-T	24-48 V AC/DC	21-53 V AC	0,230	50-60 Hz	874 170 408
		21-60 V DC			
	110-240 V AC	80-265	0,070	50-60 Hz	874 170 313



AMK



AB1



AG1



AKV

## ACCESSORIES

Type	Type of accessory	Weight	Order number
AMK	Mounting set for combining several pieces of signalling equipment of the same size	10 g	874 010 900
AB1	Mounting set for metal bracket for mounting in any direction (e.g. on mounting platforms)		874 031 900
AG1	Flat seal for correct IP66 installation on smooth surfaces		874 021 900
AKV	Cable gland M20x1,5		698 800 026

## TONE TABLE

See page 207

