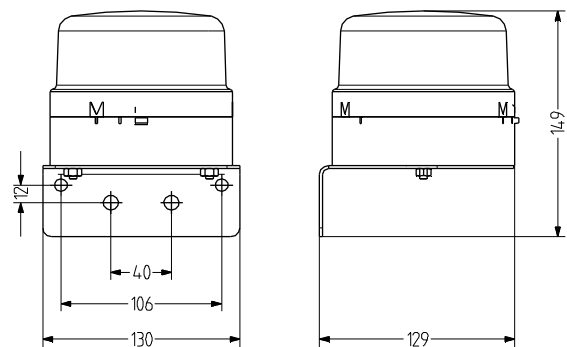
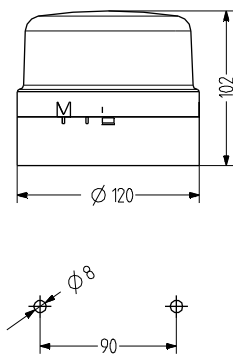


DLG LED steady beacon

- Ø 120 mm LED steady beacon
- Good signalling effect from 48 LEDs
- High degree of protection IP 65
- Optional mounting bracket for vertical mounting
- Bayonet locking system with push button
- For general applications
- Attractive price/performance ratio



TECHNICAL DATA

Housing	Ø 120 mm, ABS black (RAL 9005) or grey (RAL 7035)
Lens	Polycarbonate, ribbed inside orange, red, green or yellow
Type of mounting	horizontal or vertical (with bracket)
Cable entry	bottom: Grommet 5-10 mm
Connection technology	Terminal 2,5 mm ²
Leakage current	0,003 A (PLC-suitable)

Beacon type	LED steady beacon
Light source	48 LEDs
Duty cycle	100 %
Service life	Light source: 100.000 h
Operating temperature	-35°C/+60°C
Degree of protection	IP65
Weight	270 g



DLG

ORDER DATA

Lens colour	Nominal voltage	Voltage range (V)	Nominal current (A)	Housing colour	
				black	grey
orange	24 V AC/DC 230-240 V AC	17-26 V AC	0,200	827 501 405	827 101 405
		17-32 V DC +/- 10 %	0,120 0,060		827 101 313
red	24 V AC/DC 230-240 V AC	17-26 V AC	0,200	827 502 405	827 102 405
		17-32 V DC +/- 10 %	0,120 0,060		827 502 313
green	24 V AC/DC 230-240 V AC	17-26 V AC	0,200	827 506 405	827 106 405
		17-32 V DC +/- 10 %	0,135 0,060		827 506 313
yellow	24 V AC/DC 230-240 V AC	17-26 V AC	0,200	827 507 405	827 107 405
		17-32 V DC +/- 10 %	0,120 0,060		827 507 313



Steady



WIG

ACCESSORIES

Type	Type of accessory	Order number
WIG	Bracket made of metal for wall mounting	822 200 900