

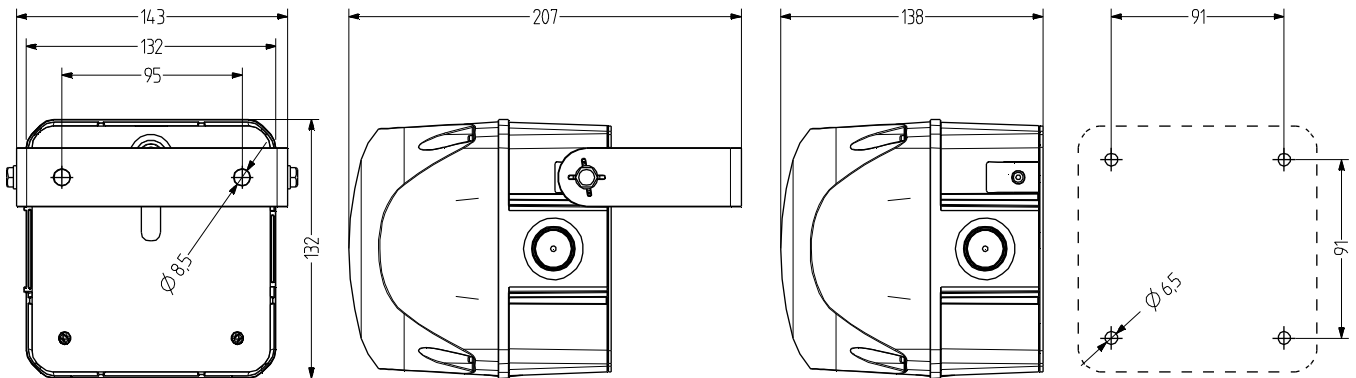
QBM LED multi strobe beacon

- 132 mm cubic-design LED multi-strobe beacon
- Very good frontal and lateral signalling effect
- Up to 60 cd luminous intensity
- High degree of protection IP 66 & impact resistance IK09

- Modern LED technology – 4 LEDs with diffuser lens
- 4 different strobe patterns, can be switched externally
- For industrial and general applications
- Combinations of beacons and multi-tone alarm sounders possible



Internal diffuser and special lens pattern for optimal 360° signalling effect



TECHNICAL DATA

| | |
|-----------------------|--|
| Housing | 132 mm (square), Polycarbonate red (RAL 3000) |
| Lens | Polycarbonate, ribbed inside orange, red, clear, blue, green or yellow |
| Type of mounting | any |
| Cable entry | Back: Grommet 5-10 mm, optional side cable entry with cable gland (on both sides) (accessory type AKV) |
| Connection technology | Screw/plug-in terminal 2,5 mm ² |
| Leakage current | 0,003 A |
| Beacon type | LED multi strobe beacon |

| | |
|------------------------|--|
| Light source | High Power LEDs |
| Strobe/flash frequency | Double strobe 1.4 Hz; 6x strobe 1.0 Hz; multi strobe |
| Duty cycle | 100 % |
| Service life | Light source: >50.000 h |
| Operating temperature | -30°C/+60°C |
| Degree of protection | IP66 & UL Type 4/4x/13 |
| Impact resistance | IK09 |
| Weight | 1,7 kg |



QBM

ORDER DATA

| Lens colour | Nominal voltage | Voltage range (V) | Nominal current (A) | Order number |
|-------------|-----------------|--------------------------|---------------------|--------------|
| orange | 24-48 V AC/DC | 19-60 V AC 18-85 V DC | 1,300 | 874 271 408 |
| | 110-240 V AC | 80-265 V AC/DC | 0,300 | 874 271 313 |
| red | 24-48 V AC/DC | 19-60 V AC 18-85 V DC | 1,300 | 874 272 408 |
| | 110-240 V AC | 80-265 V AC/DC | 0,300 | 874 272 313 |
| yellow | 24-48 V AC/DC | 19-60 V AC 18-85 V DC | 1,300 | 874 277 408 |
| | 110-240 V AC | 80-265 V AC/DC | 0,300 | 874 277 313 |
| clear | 24-48 V AC/DC | 19-60 V AC 18-85 V DC | 1,300 | 874 274 408 |
| | 110-240 V AC | 80-265 V AC/DC | 0,300 | 874 274 313 |
| green | 24-48 V AC/DC | 19-60 V AC 18-85 V DC | 1,300 | 874 276 408 |
| | 110-240 V AC | 80-265 V AC/DC | 0,300 | 874 276 313 |
| blue | 110-240 V AC | 80-265 V AC/DC | 0,300 | 874 275 313 |



Strobe



AMK



AB2



AG2



AKV

ACCESSORIES

| Type | Type of accessory | Weight | Order number |
|------|---|--------|--------------|
| AMK | Mounting set for combining several pieces of signalling equipment of the same size | 10 g | 874 010 900 |
| AB2 | Mounting set for metal bracket for mounting in any direction (e.g. on mounting platforms) | | 874 032 900 |
| AG2 | Flat seal for correct IP66 installation on smooth surfaces | | 874 022 900 |
| AKV | Cable gland M20x1,5 | | 698 800 026 |