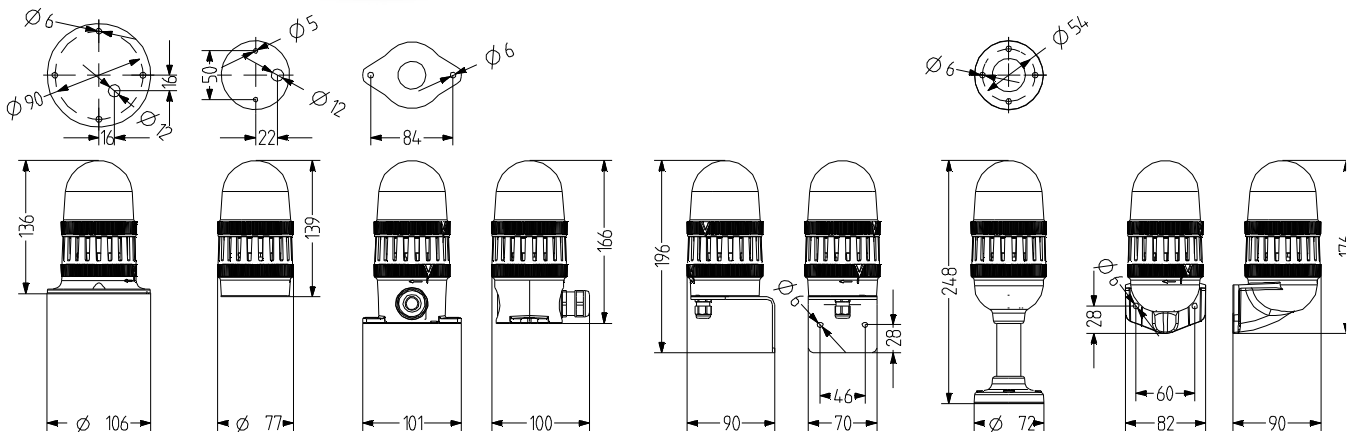


TDF+TDE

- Ø 75 mm LED multi-strobe beacon combined with Piezo buzzer
- Modular design - 7 types of mounting
- User-friendly connection technology

- 2 different strobe patterns, can be switched externally
- Up to 100 dB (A) sound pressure, infinitely adjustable
- Steady or pulsing tone can be selected via DIP switch



TECHNICAL DATA - VISUAL EQUIPMENT

Housing	Ø 75 mm, Polycarbonate black (RAL 9005)
Lens	Polycarbonate, ribbed inside orange, red, clear, blue, green or yellow
Type of mounting	horizontal, vertical or Tube mounting
Cable entry	depending on base
Connection technology	Screw terminal 2,5 mm ²
Leakage current	0,003 A (PLC-suitable)
Beacon type	LED multi strobe beacon
Light source	16 LEDs
Strobe/flash frequency	6x strobe/multi strobe 1 Hz
Duty cycle	100 %
Service life	Light source: >50.000 h
Operating temperature	-30°C/+60°C
Degree of protection	IP66 & UL Type 4/4x/13
Impact resistance	IK08
Weight	86 g

TECHNICAL DATA - AUDIBLE EQUIPMENT

Housing	Ø 75 mm Polycarbonate black (RAL 9005)
Type of mounting	horizontal, vertical or Tube mounting
Connection technology	Screw terminal
Leakage current	0,003 A
Tone	2 Tones, 1 Tones can be switched externally, Steady tone or Pulsing tone
Volume	88-100 dB (can be adjusted with potentiometer)
Tone frequency	2.800 Hz
Duty cycle	100 %
Operating temperature	-30 °C / +60 °C
Degree of protection	IP66 & UL Type 4/4x/13
Impact resistance	IK08
Weight	128 g



TDF+TDE

VISUAL EQUIPMENT: TDF

Type	Lens colour	Nominal voltage	Voltage range (V)	Nominal current (A)	Order number		
TDF	orange	24 V AC/DC	18-27 V AC	0,250	859 511 405		
			20-32 V DC	0,190			
			110-120 V AC	0,042		859 511 310	
		230-240 V AC	150-264	0,042	859 511 313		
				24 V AC/DC	18-27 V AC	0,250	859 512 405
				20-32 V DC	0,190		
	110-120 V AC	0,042	859 512 310				
	red	230-240 V AC	150-264	0,042	859 512 313		
				24 V AC/DC	18-27 V AC	0,250	859 514 405
20-32 V DC				0,190			
110-120 V AC	0,042	859 514 310					
clear	230-240 V AC	150-264	0,042	859 514 313			
			24 V AC/DC	18-27 V AC	0,250	859 515 405	
			20-32 V DC	0,190			
110-120 V AC	0,042	859 515 310					
blue	230-240 V AC	150-264	0,042	859 515 313			
			24 V AC/DC	18-27 V AC	0,250	859 516 405	
			20-32 V DC	0,190			
110-120 V AC	0,042	859 516 310					
green	230-240 V AC	150-264	0,042	859 516 313			
			24 V AC/DC	18-27 V AC	0,250	859 517 405	
			20-32 V DC	0,190			
110-120 V AC	0,042	859 517 310					
yellow	230-240 V AC	150-264	0,042	859 517 313			

AUDIBLE EQUIPMENT: TDE

Type	Nominal voltage	Voltage range (V)	Nominal current (A)	Mains frequency	Order number
TDE	24 V AC/DC	18-27 V AC	0,048	50-60 Hz	859 560 405
		20-32 V DC	0,030		
		110-120 V AC	0,040		
	230-240 V AC	150-264	0,040	50-60 Hz	859 560 313



TMW



TMF



TMV



TMR



TNL



TNW

ORDER DATA - BASE

Type	Type of accessory	Type of mounting	Tube length	Weight	Order number
TMW	Base for horizontal mounting, with internal mounting holes	horizontal		46 g	859 500 900
TMF	Base for horizontal mounting, with external mounting holes	horizontal		71 g	859 510 900
TMV	Base for vertical mounting	vertical		83 g	859 520 900
TMR	Tube base for tube mounting, with aluminium tube/plastic foot	Tube mounting	100 mm	128 g	859 532 900
			250 mm	176 g	859 533 900
TNL	Base for horizontal mounting, with side cable entry	horizontal		94 g	859 515 900
TNW	Tube base for NPT 1/2" tube mounting	Tube NPT 1/2"		54 g	859 540 900



TVS



PV1

ACCESSORIES

Type	Type of accessory	Weight	Order number
TVS	Metal bracket made possible with TMW cable entry from bottom (incl. cable gland M12 x 1,5)	218 g	859 550 900
PV1	Ventilation element for optimum pressure equalisation, protection against condensation forming, compatible with TMW, TMF, TNL, UMW, UMF, UNL		859 100 000

