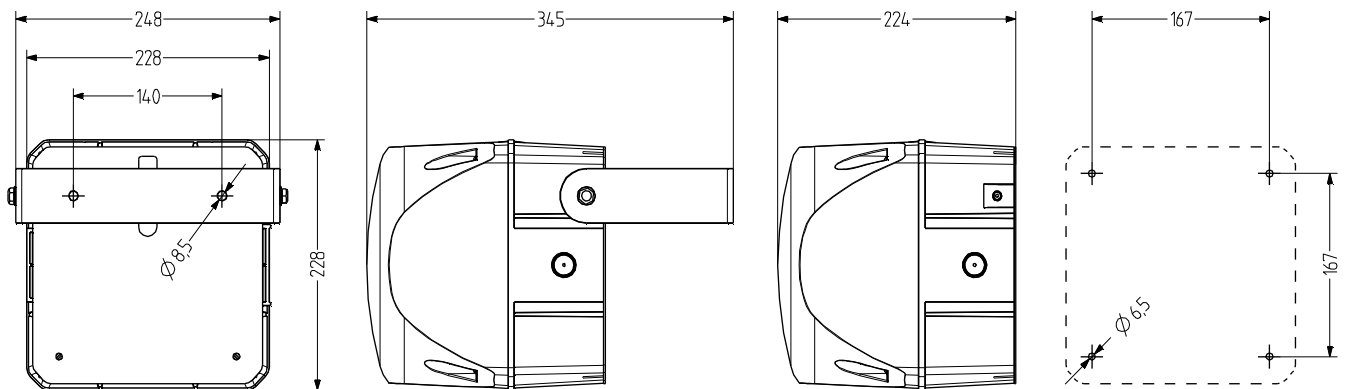


QDX LED steady/flashing beacon

- 228 mm cubic-design LED steady/flashing beacon
- Good frontal and lateral signalling effect
- Up to 300 cd luminous intensity
- High degree of protection IP 66 & impact resistance IK09
- UV-stabilised material
- Modern LED technology – 12 high-power LEDs
- Steady and flashing light, can be switched externally
- For industrial and general applications
- Combinations of beacons and multi-tone alarm sounders possible



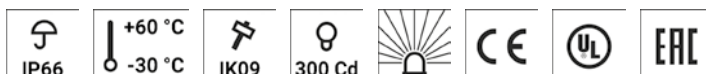
Internal diffuser and special lens pattern
for optimal 360° signalling effect



TECHNICAL DATA

Housing	228 mm (square), Polycarbonate red (RAL 3000)
Lens	Polycarbonate, ribbed inside orange, red, clear, blue, green or yellow
Type of mounting	any
Cable entry	Back: Grommet 5–10 mm, optional side cable entry with cable gland (on both sides) (accessory type AKV)
Connection technology	Screw/plug-in terminal 2,5 mm ²
Leakage current	0,003 A (PLC-suitable)
Beacon type	LED steady beacon or LED flashing beacon

Light source	10 to 12 (depending on voltage) High Power LEDs
Luminous intensity	300 Cd
Strobe/flash frequency	1 Hz
Duty cycle	100 %
Service life	Light source: >50.000 h
Operating temperature	-30°C/+60°C
Degree of protection	IP66 & UL Type 4/4x/13
Impact resistance	IK09
Weight	2,7 kg



QDX

ORDER DATA

Lens colour	Nominal voltage	Voltage range (V)	Nominal current (A)	Order number
orange	24-48 V AC/DC	18-53 V AC 18-60 V DC	1,800	874 461 408
	110-240 V AC/DC	80-265	0,350	874 461 413
red	24-48 V AC/DC	18-53 V AC 18-60 V DC	1,800	874 462 408
	110-240 V AC/DC	80-265	0,350	874 462 413
clear	24-48 V AC/DC	18-53 V AC 18-60 V DC	1,800	874 464 408
	110-240 V AC/DC	80-265	0,350	874 464 413
blue	24-48 V AC/DC	18-53 V AC 18-60 V DC	1,800	874 465 408
	110-240 V AC/DC	80-265	0,350	874 465 413
green	24-48 V AC/DC	18-53 V AC 18-60 V DC	1,800	874 466 408
	110-240 V AC/DC	80-265	0,350	874 466 413
yellow	24-48 V AC/DC	18-53 V AC 18-60 V DC	1,800	874 467 408
	110-240 V AC/DC	80-265	0,350	874 467 413



Steady & flashing



AMK



AB4



AG4



AKV

ACCESSORIES

Type	Type of accessory	Weight	Order number
AMK	Mounting set for combining several pieces of signalling equipment of the same size	10 g	874 010 900
AB4	Mounting set for metal bracket for mounting in any direction (e.g. on mounting platforms)		874 034 900
AG4	Flat seal for correct IP66 installation on smooth surfaces		874 024 900
AKV	Cable gland M20×1,5		698 800 026