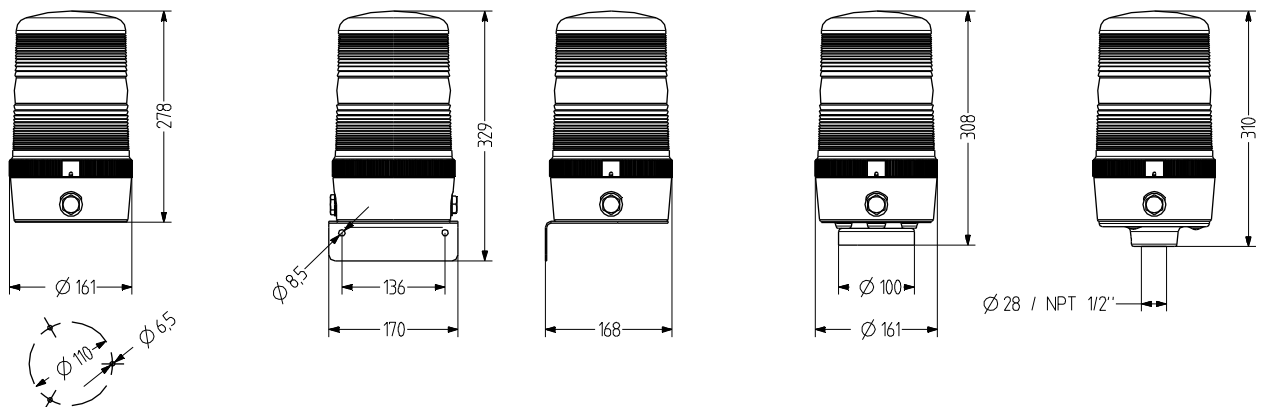


## MLL Steady beacon

- Ø 160 mm steady beacon
- Distinct fresnel lens pattern for a good signalling effect
- Modular design – easy to mount/service
- 4 types of mounting
- 50 W halogen bulb included
- High degree of protection IP 65
- For industrial and general applications
- Captive safety screw for lens



### TECHNICAL DATA

Housing	Ø 160 mm, Polycarbonate black
Lens	Polycarbonate, ribbed (Fresnel) orange, red, clear, blue, green or yellow
Type of mounting	horizontal, vertical, Tube mounting or Magnetic mounting
Cable entry	side: 2× M20 with blind plugs (optional cable gland 5-12 mm), back: Grommet 5-7 mm
Connection technology	Terminal 2,5 mm <sup>2</sup>
Leakage current	0,003 A (PLC-suitable)

Beacon type	Steady beacon
Light source	Halogen bulb
Luminous intensity	50 W
Duty cycle	100 %
Service life	Light source: 1.500 - 5.000 h
Operating temperature	-25°C/+50°C
Degree of protection	IP65 & UL Type 4/4x/13



# MLL

## ORDER DATA

Lens colour	Nominal voltage	Voltage range [V]	Nominal current (A)	Type of mounting		
				horizontal	Tube Ø 30 mm	Tube NPT 1"
orange	12 V AC/DC	+/- 10 %	4,000	819 101 404	819 301 404	819 311 404
	24 V AC/DC	+/- 10 %	2,100	819 101 405	819 301 405	819 311 405
	110-120 V AC	+/- 10 %	0,420	819 101 310	819 301 310	819 311 310
	230-240 V AC	+/- 10 %	0,210	819 101 313	819 301 313	819 311 313
red	12 V AC/DC	+/- 10 %	4,000	819 102 404	819 302 404	819 312 404
	24 V AC/DC	+/- 10 %	2,100	819 102 405	819 302 405	819 312 405
	110-120 V AC	+/- 10 %	0,420	819 102 310	819 302 310	819 312 310
	230-240 V AC	+/- 10 %	0,210	819 102 313	819 302 313	819 312 313
clear	12 V AC/DC	+/- 10 %	4,000	819 104 404	819 304 404	819 314 404
	24 V AC/DC	+/- 10 %	2,100	819 104 405	819 304 405	819 314 405
	110-120 V AC	+/- 10 %	0,420	819 104 310	819 304 310	819 314 310
	230-240 V AC	+/- 10 %	0,210	819 104 313	819 304 313	819 314 313
blue	12 V AC/DC	+/- 10 %	4,000	819 105 404	819 305 404	819 315 404
	24 V AC/DC	+/- 10 %	2,100	819 105 405	819 305 405	819 315 405
	110-120 V AC	+/- 10 %	0,420	819 105 310	819 305 310	819 315 310
	230-240 V AC	+/- 10 %	0,210	819 105 313	819 305 313	819 315 313
green	12 V AC/DC	+/- 10 %	4,000	819 106 404	819 306 404	819 316 404
	24 V AC/DC	+/- 10 %	2,100	819 106 405	819 306 405	819 316 405
	110-120 V AC	+/- 10 %	0,420	819 106 310	819 306 310	819 316 310
	230-240 V AC	+/- 10 %	0,210	819 106 313	819 306 313	819 316 313
yellow	12 V AC/DC	+/- 10 %	4,000	819 107 404	819 307 404	819 317 404
	24 V AC/DC	+/- 10 %	2,100	819 107 405	819 307 405	819 317 405
	110-120 V AC	+/- 10 %	0,420	819 107 310	819 307 310	819 317 310
	230-240 V AC	+/- 10 %	0,210	819 107 313	819 307 313	819 317 313



Steady



WML



MGL



AKV



MBK



MQL

## ACCESSORIES

Type	Type of accessory	Weight	Order number
WML	Metal bracket for wall mounting	510 g	819 200 900
MGL	Magnetic fixing	1,03 kg	819 203 900
AKV	Cable gland M20x1,5		698 800 026
MBK	Earthing kit for UL-compliant installation		819 201 900
MQL	Mounting plate for UL-compliant installation		819 202 900



Halogen bulb

## REPLACEMENT PARTS

Type	Type of accessory	Nominal voltage	Output	Order number
HL51	Halogen bulb	12 V	50,000 W	890 050 904
HL52	Halogen bulb	24 V	50,000 W	890 050 905
HL55	Halogen bulb	110-120 V	50,000 W	890 050 910
HL56	Halogen bulb	230-240 V	50,000 W	890 050 913