

## mTCR Explosion-proof telephone connecting relay

- Explosion-proof telephone connecting relay
- Potential-free contacts for individual connection of up to 2 visual or audible signalling devices
- Call break bypass can be individually adjusted
- High degree of protection IP 66
- Housing made of electrostatically conductive glass-fibre-reinforced polyester

II 2 G Ex e ib mb IIC T4 Gb

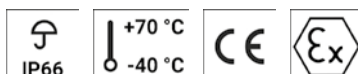
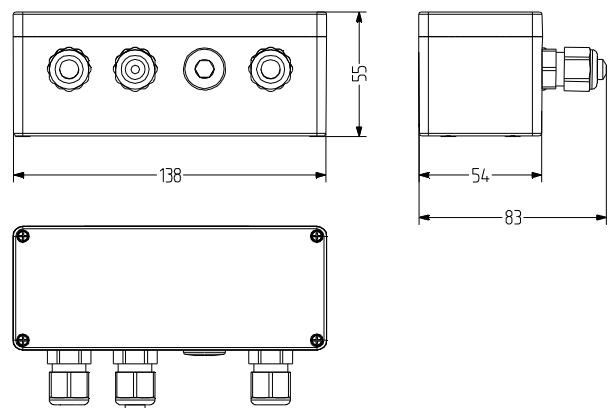
II 2 D Ex tb IIIC T135 °C Db

-40 °C ≤ T<sub>a</sub> ≤ +70 °C



### TECHNICAL DATA

Connection	Call voltage of analogue telephone network, AC 30 V-100 V (TNV-3)
Input impedance	≥ 8.0 KΩ at 20-68 Hz and 30-100 V A
Housing	glass-fibre-reinforced polyester black
Type of mounting	any
Operating temperature	-40 °C / +70 °C
Degree of protection	IP66
Weight	1,1 kg



# mTCR

## ORDER DATA

Description	Order number
Explosion-proof telephone connecting relay	410 100 100

