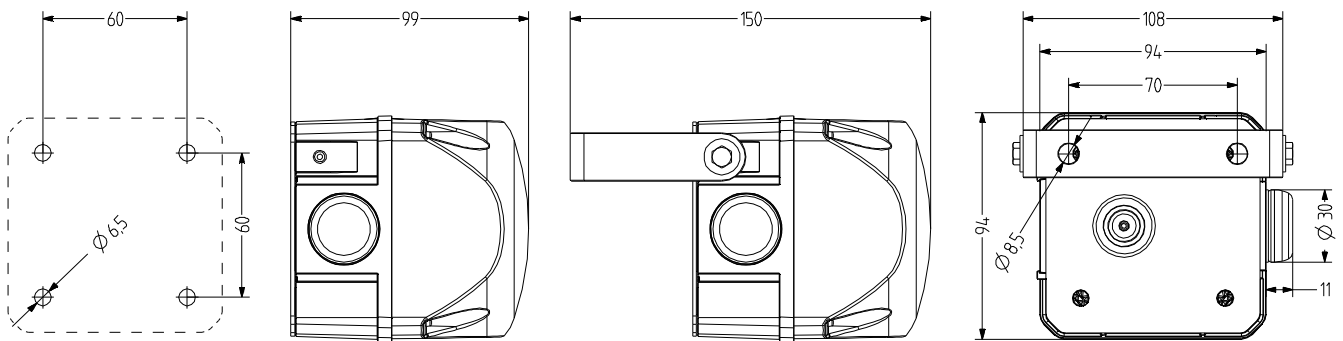


QCS LED strobe beacon with buzzer indicator

- 94 mm LED cubic-design multi-strobe beacon with built-in buzzer indicator
- Max. 85 dB (A) sound pressure
- High degree of protection IP 65 & impact resistance IK09
- Beacon with good frontal/lateral signalling effect
- 4 different strobe patterns, can be switched externally
- Up to 64 cd luminous intensity
- For industrial and general application



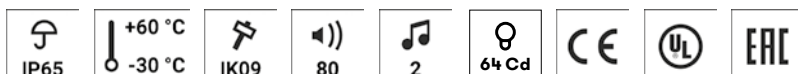
Internal diffuser and special lens pattern for optimal 360° signalling effect



TECHNICAL DATA

Housing	94 mm (square), Polycarbonate red, piezo buzzer black
Lens	Polycarbonate, ribbed inside orange, red, clear, blue, green or yellow
Type of mounting	any, any
Connection technology	Screw/plug-in terminal up to 2,5 mm ²
Beacon type	LED multi strobe beacon
Strobe/flash frequency	Double strobe 1.4 Hz; 6× strobe 1.0 Hz; multi strobe
Tone	2 Tones, 2 Tones can be switched externally, Steady tone or Pulsing tone

Volume	80 dB
Tone frequency	3.300 Hz
Duty cycle	100 %
Service life	Light source: 50.000 h
Operating temperature	-30 °C / +60 °C
Degree of protection	IP65
Impact resistance	IK09



QCS

ORDER DATA

Lens colour	Nominal voltage	Voltage range [V]	Nominal current [A]	Order number
orange	24 V AC/DC	+/-10%	0,380	876 171 405
	110-120 V AC	+/-10%	0,115	876 171 310
	230-240 V AC	+/-10%	0,095	876 171 313
red	24 V AC/DC	+/-10%	0,280	876 172 405
	110-120 V AC	+/-10%	0,115	876 172 310
	230-240 V AC	+/-10%	0,095	876 172 313
yellow	24 V AC/DC	+/-10%	0,380	876 177 405
	110-120 V AC	+/-10%	0,115	876 177 310
	230-240 V AC	+/-10%	0,095	876 177 313



AMK



AB1



AG1



AKV



AW1

ACCESSORIES

Type	Type of accessory	Weight	Order number
AMK	Mounting set for combining several pieces of signalling equipment of the same size	10 g	874 010 900
AB1	Mounting set for metal bracket for mounting in any direction [e.g. on mounting platforms]		874 031 900
AG1	Flat seal for installation on smooth surfaces		874 021 900
AKV	Cable gland M20×1,5		698 800 026
AW1	Stainless steel bracket		874 041 900

tone table

Tone on terminal

La	N	Lb	
X	X		pulsing tone
X	X	X	continuous tone

