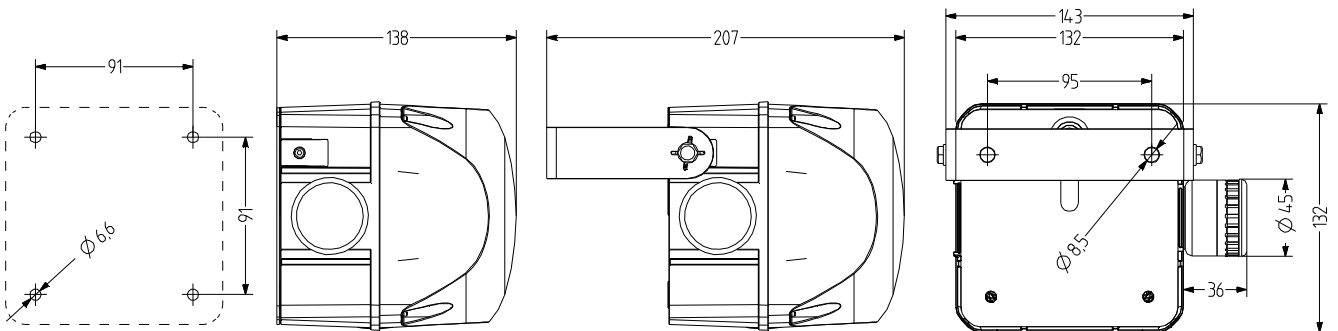


QCM LED strobe beacon with buzzer indicator

- 132 mm cubic-design LED multi-strobe beacon with built-in buzzer indicator
- Max. 100 dB (A) sound pressure, infinitely adjustable
- Beacon with good frontal/lateral signalling effect
- 4 different strobe patterns, can be switched externally
- Up to 60 cd luminous intensity
- For industrial and general applications



Internal diffuser and special lens pattern for optimal 360° signalling effect



TECHNICAL DATA

Housing	132 mm (square), Polycarbonate red, piezo buzzer black
Lens	Polycarbonate, ribbed inside orange, red, clear, blue, green or yellow
Type of mounting	any, any
Connection technology	Screw/plug-in terminal up to 2,5 mm ²
Beacon type	LED multi strobe beacon
Strobe/flash frequency	Double strobe 1.4 Hz; 6× strobe 1.0 Hz; multi strobe
Tone	2 Tones, 2 Tones can be switched externally, Steady tone or Pulsing tone

Volume	85-100 dB
Tone frequency	3.300 Hz
Duty cycle	100 %
Service life	Light source: 50.000 h
Operating temperature	-30 °C / +60 °C
Degree of protection	IP65
Impact resistance	IK07



QCM

ORDER DATA

Lens colour	Nominal voltage	Voltage range [V]	Nominal current [A]	Order number
orange	24 V AC/DC	+/-10%	1,100	876 271 405
	110-120 V AC	+/-10%	0,262	876 271 310
	230-240 V AC	+/-10%	0,190	876 271 313
red	24 V AC/DC	+/-10%	1,000	876 272 405
	110-120 V AC	+/-10%	0,242	876 272 310
	230-240 V AC	+/-10%	0,180	876 272 313
yellow	24 V AC/DC	+/-10%	1,100	876 277 405
	110-120 V AC	+/-10%	0,262	876 277 310
	230-240 V AC	+/-10%	0,190	876 277 313



AMK



AB2



AG2



AKV

ACCESSORIES

Type	Type of accessory	Weight	Order number
AMK	Mounting set for combining several pieces of signalling equipment of the same size	10 g	874 010 900
AB2	Mounting set for metal bracket for mounting in any direction (e.g. on mounting platforms)		874 032 900
AG2	Flat seal for installation on smooth surfaces		874 022 900
AKV	Cable gland M20×1,5		698 800 026

STONE TABLE

Tone on terminal

La	N	Lb	
X	X		pulsing tone
	X	X	wobble tone
X	X	X	continuous tone

