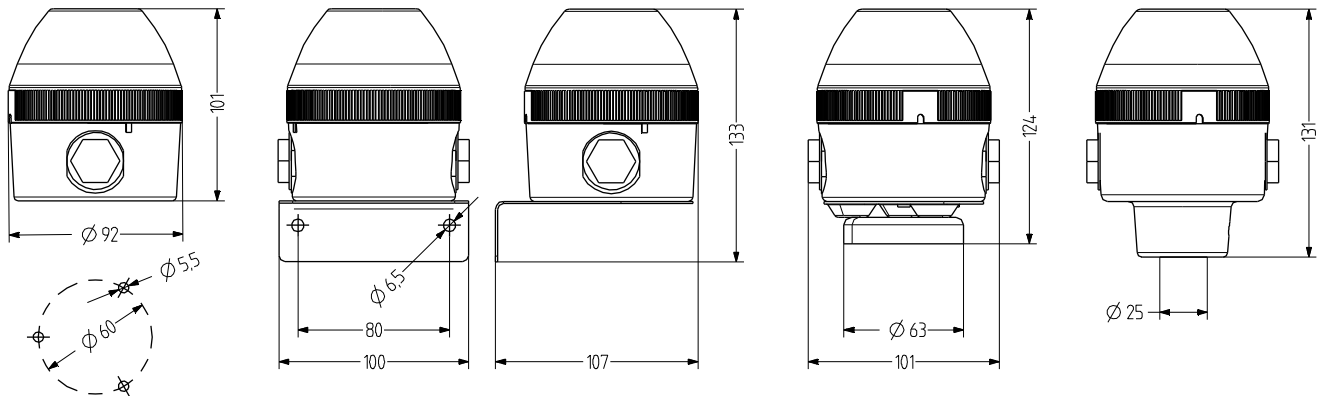


NMS LED multi colour beacon

- Ø 90 mm LED multi-colour beacon
- RED-YELLOW-GREEN
- Good signalling effect
- High degree of protection IP 65 & IP 67
- Modern LED technology
- Steady/flashing/alternate flashing light, can be switched externally



TECHNICAL DATA

Housing	Ø 90 mm, Polycarbonate black (RAL 9005)
Lens	Polycarbonate, ribbed inside clear
Type of mounting	horizontal, vertical, Tube mounting or Magnetic mounting
Cable entry	side: 2× M20 × 1.5 with blind plugs (optional cable gland 7-14 mm), bottom: Grommet 5-7 mm
Connection technology	Terminal 2,5 mm ²
Leakage current	0,003 A (PLC-suitable)
Beacon type	LED steady beacon, LED flashing beacon or LED alternate flashing beacon

Light source	15 LEDs
Strobe/flash frequency	1 Hz
Number of colours	3
Duty cycle	100 %
Service life	Light source: >50.000 h
Operating temperature	-30°C/+60°C
Degree of protection	IP65, IP67 & UL Type 4/4×/13
Weight	280 g (horizontal base)



NMS

ORDER DATA

Lens colour	Nominal voltage	Voltage range (V)	Nominal current (A)	Type of mounting	
				horizontal	Tube Ø 25 mm
clear	24 V AC/DC	+/- 10 %	0,142	441 100 405	441 300 405
	110-120 V AC	+/- 10 %	0,103	441 100 310	441 300 310
	230-240 V AC	+/- 10 %	0,100	441 100 313	441 300 313



WMS



MSR



MMR



MGS



AKV



MBK



MQS

ACCESSORIES

Type	Type of accessory	Tube length	Weight	Order number
WMS	Metal bracket for wall mounting		160 g	817 200 900
MMR	Tube mounting Aluminium with plastic foot	50 mm		698 806 007
		100 mm		698 806 008
		250 mm		698 806 009
		400 mm		698 806 010
MSR	Tube mounting Stainless steel with die-cast zinc foot, black (powder-coated)	50 mm		698 806 021
		100 mm		698 806 022
		250 mm		698 806 023
		400 mm		698 806 024
MGS	Magnetic fixing		340 g	817 203 900
AKV	Cable gland M20x1,5			698 800 026
MBK	Earthing kit for UL-compliant installation			819 201 900
MQS	Mounting plate for UL-compliant installation			817 202 900



Steady