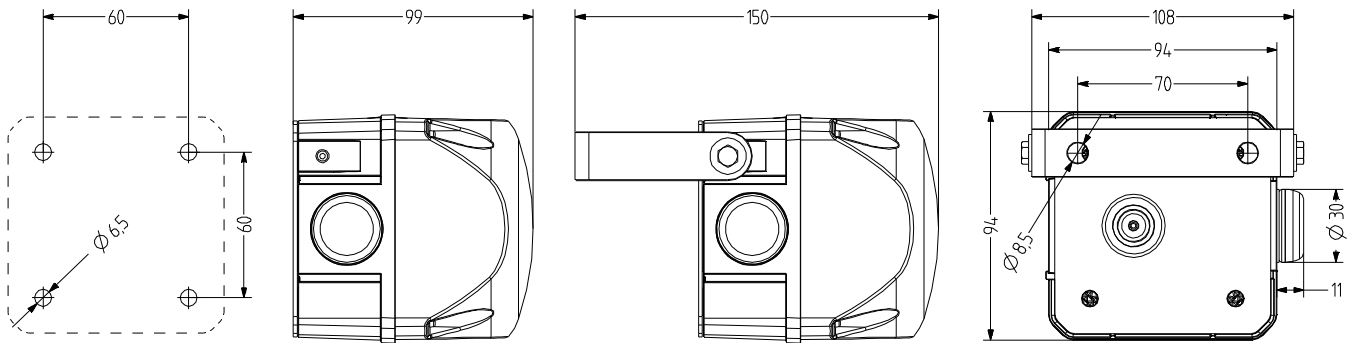


QSS LED steady/flashing beacon with buzzer indicator

- 94 mm cubic-design LED steady/flashing beacon with built-in buzzer indicator
- Max. 80 dB (A) sound pressure
- UV-stabilised material
- Steady and flashing light, can be switched externally
- Beacon with good frontal/lateral signalling effect
- 30 cd luminous intensity
- For industrial and general applications



Internal diffuser and special lens pattern for optimal 360° signalling effect



TECHNICAL DATA

| | |
|------------------------|--|
| Housing | 94 mm (square), Polycarbonate red, piezo buzzer black |
| Lens | Polycarbonate, ribbed inside orange, red, clear, blue, green or yellow |
| Type of mounting | any, any |
| Connection technology | Screw/plug-in terminal up to 2,5 mm ² |
| Beacon type | Steady beacon or Flashing beacon |
| Light source | 16 LEDs |
| Luminous intensity | 30 Cd |
| Strobe/flash frequency | 1,4 Hz |

| | |
|-----------------------|--|
| Tone | 2 Tones, 2 Tones can be switched externally, Steady tone or Pulsing tone |
| Volume | 80 dB |
| Tone frequency | 3.500 Hz |
| Duty cycle | 100 % |
| Service life | Light source: 50.000 h |
| Operating temperature | -30 °C / +60 °C |
| Degree of protection | IP65 |
| Impact resistance | IK07 |
| Weight | 300 g |



QSS

ORDER DATA

| Lens colour | Nominal voltage | Voltage range (V) | Nominal current (A) | Order number |
|-------------|-----------------|-------------------|---------------------|--------------|
| orange | 24 V AC/DC | +/- 10 % | 0,140 | 876 161 405 |
| | 110-120 V AC | +/- 10 % | 0,120 | 876 161 310 |
| | 230-240 V AC | +/- 10 % | 0,110 | 876 161 313 |
| red | 24 V AC/DC | +/- 10 % | 0,140 | 876 162 405 |
| | 110-120 V AC | +/- 10 % | 0,120 | 876 162 310 |
| | 230-240 V AC | +/- 10 % | 0,110 | 876 162 313 |
| clear | 24 V AC/DC | +/- 10 % | 0,140 | 876 164 405 |
| | 110-120 V AC | +/- 10 % | 0,120 | 876 164 310 |
| | 230-240 V AC | +/- 10 % | 0,110 | 876 164 313 |
| blue | 24 V AC/DC | +/- 10 % | 0,140 | 876 165 405 |
| | 110-120 V AC | +/- 10 % | 0,120 | 876 165 310 |
| | 230-240 V AC | +/- 10 % | 0,110 | 876 165 313 |
| green | 24 V AC/DC | +/- 10 % | 0,140 | 876 166 405 |
| | 110-120 V AC | +/- 10 % | 0,120 | 876 166 310 |
| | 230-240 V AC | +/- 10 % | 0,110 | 876 166 313 |
| yellow | 24 V AC/DC | +/- 10 % | 0,140 | 876 167 405 |
| | 110-120 V AC | +/- 10 % | 0,120 | 876 167 310 |
| | 230-240 V AC | +/- 10 % | 0,110 | 876 167 313 |



AMK



AB1



AG1



AKV



AW1

ACCESSORIES

| Type | Type of accessory | Weight | Order number |
|------|---|--------|--------------|
| AMK | Mounting set for combining several pieces of signalling equipment of the same size | 10 g | 874 010 900 |
| AB1 | Mounting set for metal bracket for mounting in any direction (e.g. on mounting platforms) | | 874 031 900 |
| AG1 | Flat seal for installation on smooth surfaces | | 874 021 900 |
| AKV | Cable gland M20x1,5 | | 698 800 026 |
| AW1 | Stainless steel bracket | | 874 041 900 |

STONE TABLE

Tone on terminal

| La | N | Lb | |
|----|---|----|-----------------|
| X | X | | pulsing tone |
| X | X | X | continuous tone |



Electronic