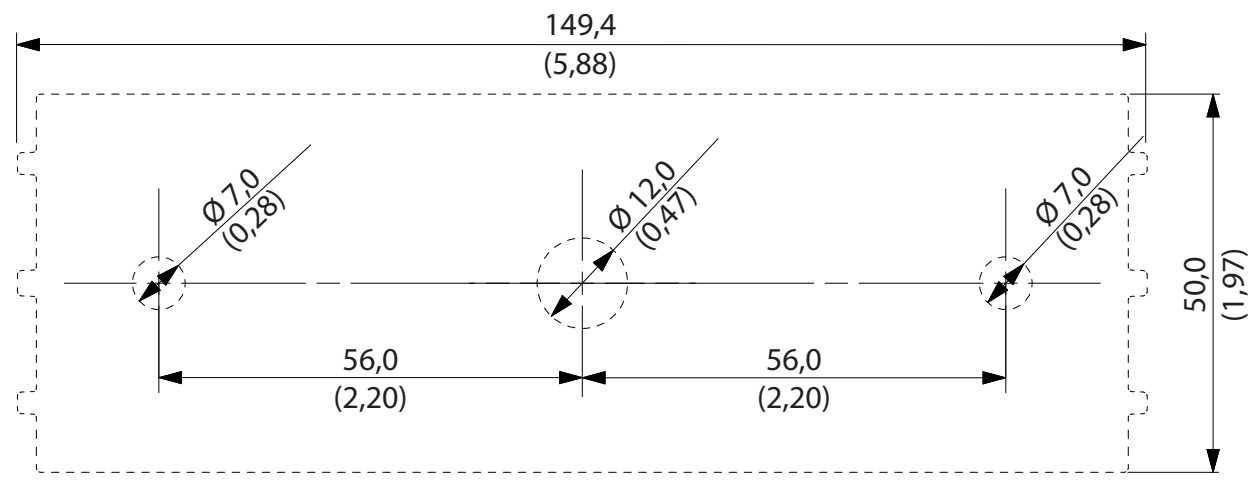
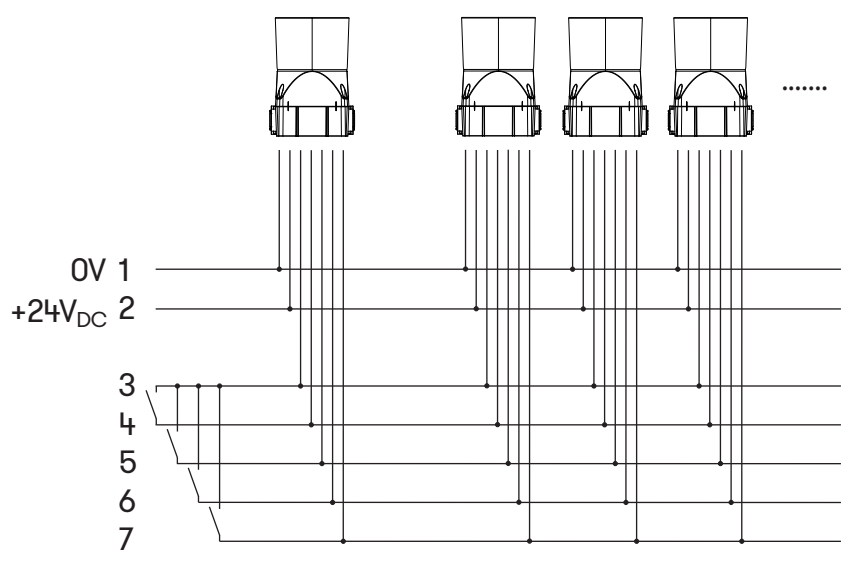
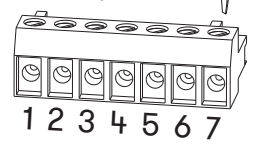
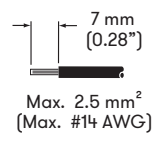
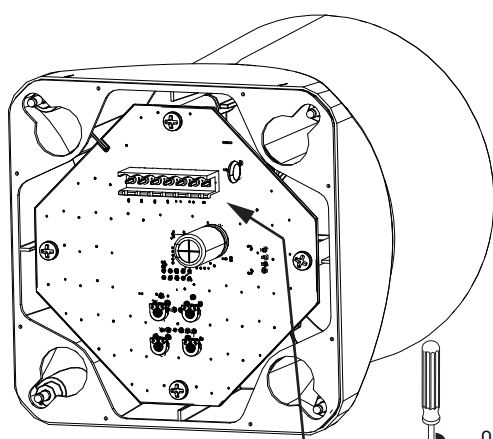
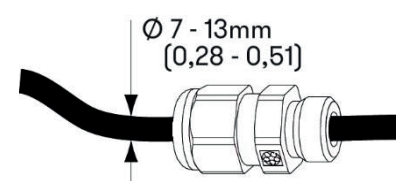
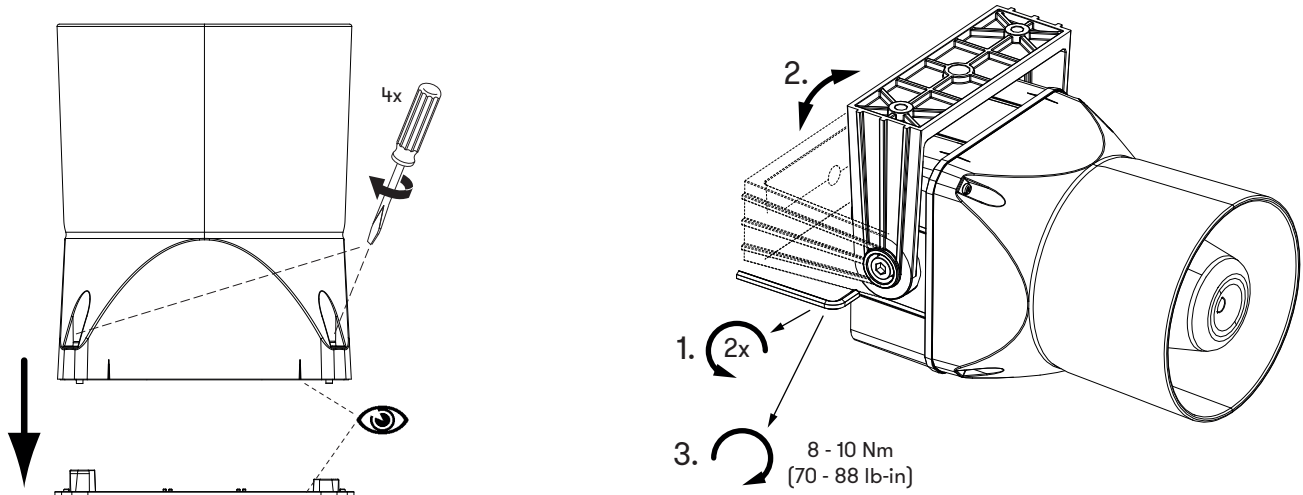




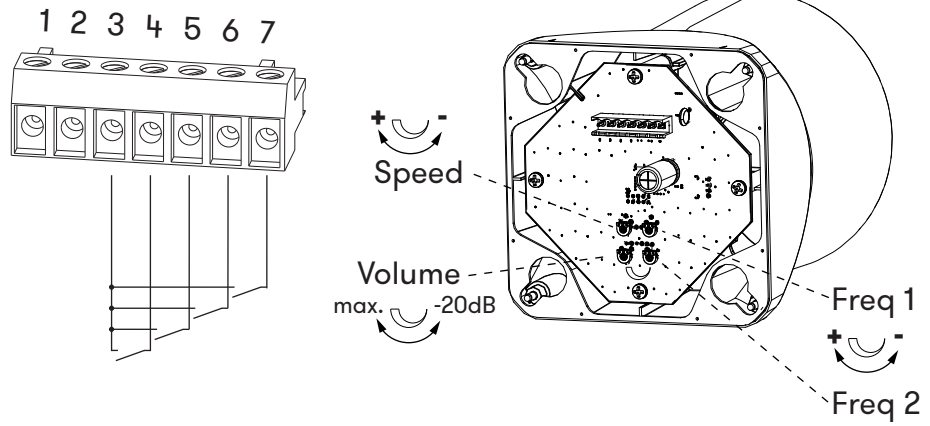
ASML

Auer Signal

-40°C to +70°C (-40°F to +158°F) IP66



Tone selection
 Sélection du son
 Tonauswahl
 Selezione tono
 Selecção de tom
 Selección de tono



No.	Terminal	Tone type	Tone frequency [Hz]		Speed
1	-	Continuous tone	500...1500	Freq1	
2	3 - 4	DIN-emergency signal	-	-	
3	3 - 5	Interrupted tone	500...1500	Freq1	0,5...1,5Hz
4	3 - 4-5	Triangle tone	1000...3000	Freq1, Freq2	2...22Hz
5	3 - 6	Sine tone	500...1500	Freq1, Freq2	0,5...1,5Hz
6	3 - 4-6	Continuous tone	500...1500	Freq2	
7	3 -5-6	Horn (continuous)	100-350	Freq2	
8	3 - 4-5-6	Interrupted tone	500...1500	Freq2	
9	3 - 7	saw tooth tone ascending	500...1500	Freq1, Freq2	0,5...1,5Hz
10	3 - 4-7	Alternating tone	500...1500	Freq1, Freq2	0,5...1,5Hz
11	3 - 5-7	saw tooth tone descending	500...1500	Freq1, Freq2	0,5...1,5Hz
12	3 - 4-5-7	Siren tone	500...1500	Freq1, Freq2	2...4 s
13	3 - 6-7	Gong	500...1500	Freq2	1...4 s
14	3 - 4-6-7	2-tone Gong	550-440	-	2...5 s
15	3 - 5-6-7	3-tone Gong	660-550-440	-	2,3...6 s
16	3 - 4-5-6-7	Tone off	-	-	-