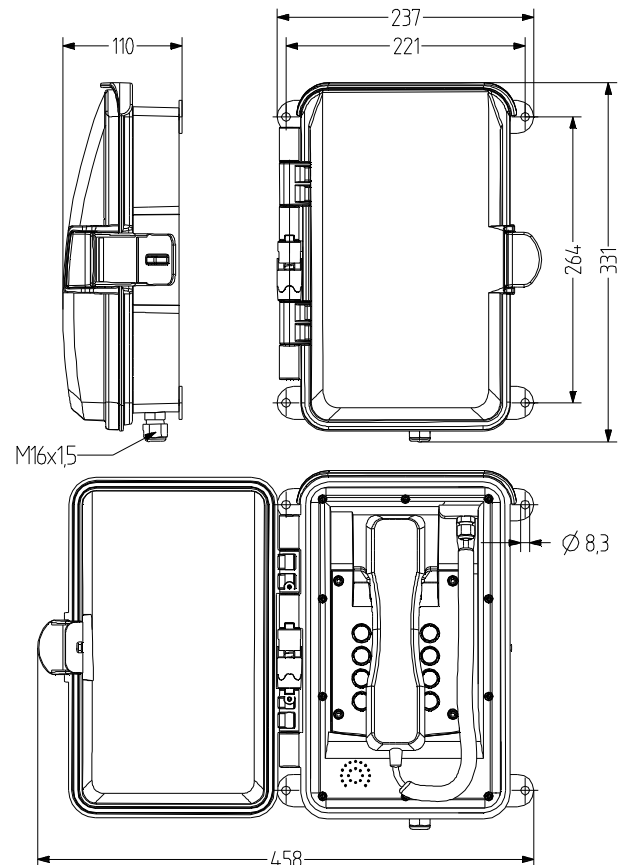


wIND weather-proof analogue telephone

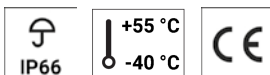
- Weather-proof analogue telephone for outdoor and indoor use
- For universal applications, resistant to high humidity, maritime climates, etc.
- High degree of protection IP 66 (closed)
- Impact-resistant polycarbonate housing
- Yellow or transparent protective door
- Eye-catching yellow housing colour – easy to spot
- Models with or without keypad
- Model with visual LED call indicator
- For wall mounting
- Comprehensive range of accessories



TECHNICAL DATA

Dialling method	DTMF as per ITU-T Q.23 Tone duration unlimited or 90 ms PD pulse/pause ratio 1.5:1 (60/40 ms) or 2:1 (66.7/33.3 ms)
Tone ringing volume	90 dB when protective door open, 65 dB when protective door closed
Incoming telephone line	TCP/La, TCP/Lb
Second bell	w1, w
Transportation/storage temperature	-40°C/+55°C
Housing	Polycarbonate yellow
Type of mounting	vertical wall mounting
Cable entry	2× cable glands M16 × 1.5 for cable diameter of 5–9 mm
Connection technology	single wire or multiple wires up to 2.5 mm ²
Operating temperature	-40 °C / +55 °C

Operating temperature	-40°C bto 55°C
Degree of protection	IP66 (when protective door closed)
Technology	analogue
Supply voltage	24 - 66 V DC
Supply current	0,019 - 0,10 A
Ringing alternating current	30–90 V AC at 16–68 Hz ringing frequency
Tone ringing impedance	≥ 6.0 kΩ at 25 Hz, ≥ 3.5 kΩ at 50 Hz
Enquiry key	only for DTMF 80 ms, 120 ms, 600 ms
Weight	2,3 kg (incl. telephone bracket)
Display	without
Mouthpiece	Electret microphone
Receiver	dynamic receiver
Handset cord	Spiral cord



wIND

ORDER DATA

Keypad	Protective doors	Housing colour	Order number
with keypad	yellow	yellow	410 700 100
	transparent	yellow	410 700 110
	transparent, with visual call display	yellow	410 700 200
without keypad	yellow	yellow	410 710 100
	transparent	yellow	410 710 110



TH1



ACCESSORIES

Type	Type of accessory	Colour	Housing material	Weight	Order number
TH1	Telephone sound protection hood	yellow (RAL 1023)	Console (sheet steel, powder-coated)	17 kg	410 100 011
			Metal	35 kg	410 100 006
		orange (RAL 2000)	glass-fibre-reinforced plastic (GFRP)	40 kg	410 100 007