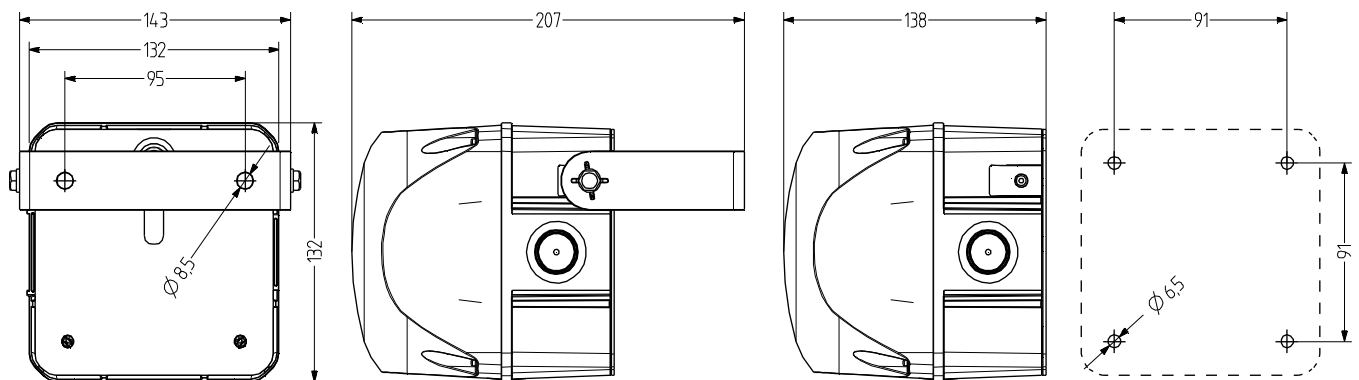


QDM LED steady/flashing beacon

- 132 mm cubic-design LED steady/flashing beacon
- Good frontal and lateral signalling effect
- up to 78 cd luminous intensity
- High degree of protection IP 66 & impact resistance IK09
- UV-stabilised material
- Modern LED technology – 4 high-power LEDs
- Steady and flashing light, can be switched externally
- For industrial and general applications
- Combinations of beacons and multi-tone alarm sounders possible



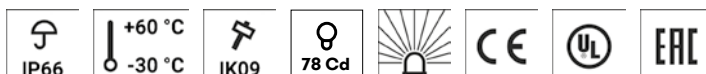
Internal diffuser and special lens pattern for optimal 360° signalling effect



TECHNICAL DATA

| | |
|-----------------------|--|
| Housing | 132 mm (square), Polycarbonate red (RAL 3000) |
| Lens | Polycarbonate, ribbed inside orange, red, clear, blue, green or yellow |
| Type of mounting | any |
| Cable entry | Back: Grommet 5–10 mm, optional side cable entry with cable gland (on both sides) (accessory type AKV) |
| Connection technology | Screw/plug-in terminal 2,5 mm ² |
| Leakage current | 0,003 A (PLC-suitable) |
| Beacon type | LED steady beacon or LED flashing beacon |

| | |
|------------------------|-------------------------|
| Light source | 4 High Power LEDs |
| Luminous intensity | 78 Cd |
| Strobe/flash frequency | 2 Hz |
| Duty cycle | 100 % |
| Service life | Light source: >50.000 h |
| Operating temperature | -30°C/+60°C |
| Degree of protection | IP66 & UL Type 4/4x/13 |
| Impact resistance | IK09 |
| Weight | 500 g |



QDM

ORDER DATA

| Lens colour | Nominal voltage | Voltage range (V) | Nominal current (A) | Order number |
|-------------|-----------------|--------------------------|---------------------|--------------|
| orange | 24-48 V AC/DC | 18-53 V AC 18-60 V DC | 0,500 | 874 261 408 |
| | 110-240 V AC | 80-265 V AC/DC | 0,100 | 874 261 413 |
| red | 24-48 V AC/DC | 18-53 V AC 18-60 V DC | 0,500 | 874 262 408 |
| | 110-240 V AC | 80-265 V AC/DC | 0,100 | 874 262 413 |
| clear | 24-48 V AC/DC | 18-53 V AC 18-60 V DC | 0,500 | 874 264 408 |
| | 110-240 V AC | 80-265 V AC/DC | 0,100 | 874 264 413 |
| blue | 24-48 V AC/DC | 18-53 V AC 18-60 V DC | 0,500 | 874 265 408 |
| | 110-240 V AC | 80-265 V AC/DC | 0,100 | 874 265 413 |
| green | 24-48 V AC/DC | 18-53 V AC 18-60 V DC | 0,500 | 874 266 408 |
| | 110-240 V AC | 80-265 V AC/DC | 0,100 | 874 266 413 |
| yellow | 24-48 V AC/DC | 18-53 V AC 18-60 V DC | 0,500 | 874 267 408 |
| | 110-240 V AC | 80-265 V AC/DC | 0,100 | 874 267 413 |



Steady & flashing



AMK



AB2



AG2



AKV

ACCESSORIES

| Type | Type of accessory | Weight | Order number |
|------|---|--------|--------------|
| AMK | Mounting set for combining several pieces of signalling equipment of the same size | 10 g | 874 010 900 |
| AB2 | Mounting set for metal bracket for mounting in any direction (e.g. on mounting platforms) | | 874 032 900 |
| AG2 | Flat seal for correct IP66 installation on smooth surfaces | | 874 022 900 |
| AKV | Cable gland M20×1,5 | | 698 800 026 |