

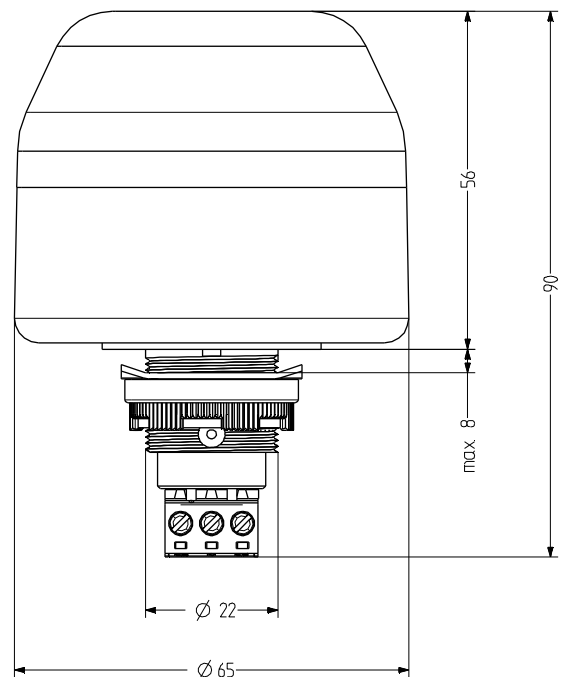
ICL M22 panel mount LED multi strobe beacon

- Ø 65 mm panel-mount LED multi-strobe beacon
- Good signalling effect
- High degree of protection IP 65
- User-friendly connection technology thanks to plug-in screw terminal
- Prewired model versions with IP 67 on request
- Modern LED technology and electronics
- 2 different strobe patterns, can be switched externally
- For industrial and general applications
- Panel size Ø 22.5 mm/M22
- Adapter available for M30.5 mm panel size



TECHNICAL DATA

Housing	Ø 65 mm, Polycarbonate black (RAL 9005) or grey (RAL 7035)
Lens	Polycarbonate, ribbed inside orange or red
Type of mounting	any
Panel size	22×1,25 mm (M22) and 30.5 mm (with adapter), mounting depth 3+ mm
Cable entry	pre-wired at customer's request
Connection technology	Screw/plug-in terminal 2,5 mm ²
Leakage current	0,003 A (PLC-suitable)
Beacon type	LED multi strobe beacon
Light source	12 LEDs
Strobe/flash frequency	Double strobe and 6× strobe
Duty cycle	100 %
Service life	Light source: 100.000 h
Operating temperature	-25°C/+60°C
Degree of protection	IP65 & UL Type 4/4×/13



ICL

ORDER DATA

Lens colour	Nominal voltage	Voltage range (V)	Nominal current (A)	Housing colour	
				grey	black
orange	24 V AC/DC	+/- 10 %	0,155	802 121 405	802 521 405
	110-120 V AC	+/- 10 %	0,045	802 121 310	802 521 310
	230-240 V AC	+/- 10 %	0,045	802 121 313	802 521 313
red	24 V AC/DC	+/- 10 %	0,155	802 122 405	802 522 405
	110-120 V AC	+/- 10 %	0,045	802 122 310	802 522 310
	230-240 V AC	+/- 10 %	0,045	802 122 313	802 522 313



ADM30

ACCESSORIES

Type	Type of accessory	Weight	Order number
ADM30	Adapter for M30.5 for 30.5 mm holes	8 g	812 500 900