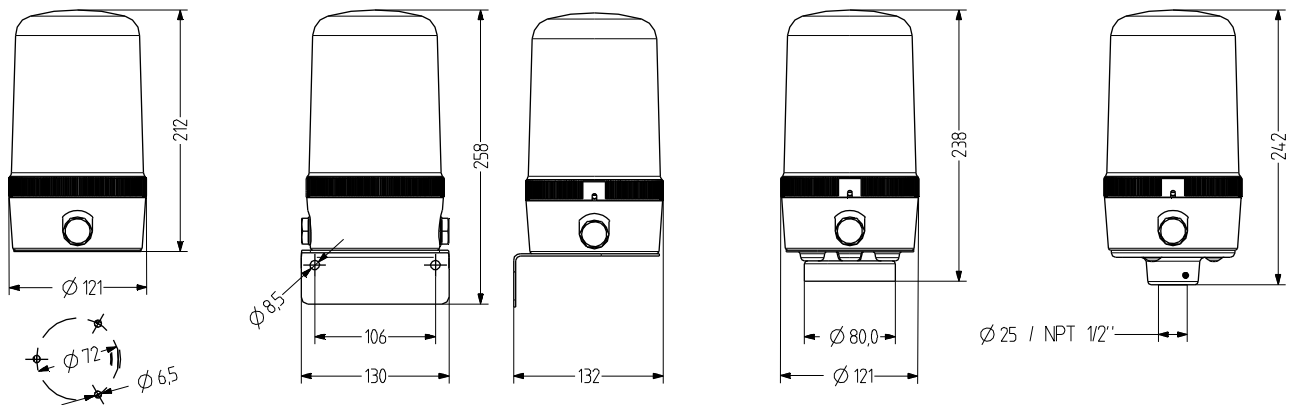


MRM Rotating mirror beacon

- Ø 120 mm rotating mirror beacon
- Synthetic bearings – high operating safety
- Modular design – easy to mount/service
- 4 types of mounting
- 35 W halogen bulb included
- High degree of protection IP 65
- Speed control of 90/180 rpm, constant speed independent of temperature and environment
- For industrial and general applications
- Captive safety screw for lens



TECHNICAL DATA

Housing	Ø 120 mm, Polycarbonate black
Lens	Polycarbonate, smooth orange, red, clear, blue, green or yellow
Type of mounting	horizontal, vertical, Tube mounting, Magnetic mounting or upside down
Cable entry	side: 2× M20 with blind plugs (optional cable gland 5-12 mm), bottom: Grommet 5-7 mm
Connection technology	Terminal 2,5 mm ²
Leakage current	0,003 A (PLC-suitable)

Beacon type	Rotating beacon
Light source	Halogen bulb
Luminous intensity	35 W
Speed of rotation	90/180 rpm switchable
Duty cycle	100 %
Service life	Light source: 1.500 - 5.000 h / Motor: 5.000 h
Operating temperature	-25°C/+50°C
Degree of protection	IP65 & UL Type 4/4x/13
Weight	620 g



MRM

ORDER DATA

Lens colour	Nominal voltage	Voltage range [V]	Nominal current [A]	Type of mounting		
				horizontal	Tube Ø 25 mm	Tube NPT 1/2"
orange	12 V AC/DC	+/- 10 %	3,200	418 101 404	418 301 404	418 311 404
	24 V AC/DC	+/- 10 %	1,700	418 101 405	418 301 405	418 311 405
	110-120 V AC	+/- 10 %	0,320	418 101 310	418 301 310	418 311 310
	230-240 V AC	+/- 10 %	0,170	418 101 313	418 301 313	418 311 313
red	12 V AC/DC	+/- 10 %	3,200	418 102 404	418 302 404	418 312 404
	24 V AC/DC	+/- 10 %	1,700	418 102 405	418 302 405	418 312 405
	110-120 V AC	+/- 10 %	0,320	418 102 310	418 302 310	418 312 310
	230-240 V AC	+/- 10 %	0,170	418 102 313	418 302 313	418 312 313
clear	12 V AC/DC	+/- 10 %	3,200	418 104 404	418 304 404	418 314 404
	24 V AC/DC	+/- 10 %	1,700	418 104 405	418 304 405	418 314 405
	110-120 V AC	+/- 10 %	0,320	418 104 310	418 304 310	418 314 310
	230-240 V AC	+/- 10 %	0,170	418 104 313	418 304 313	418 314 313
blue	12 V AC/DC	+/- 10 %	3,200	418 105 404	418 305 404	418 315 404
	24 V AC/DC	+/- 10 %	1,700	418 105 405	418 305 405	418 315 405
	110-120 V AC	+/- 10 %	0,320	418 105 310	418 305 310	418 315 310
	230-240 V AC	+/- 10 %	0,170	418 105 313	418 305 313	418 315 313
green	12 V AC/DC	+/- 10 %	3,200	418 106 404	418 306 404	418 316 404
	24 V AC/DC	+/- 10 %	1,700	418 106 405	418 306 405	418 316 405
	110-120 V AC	+/- 10 %	0,320	418 106 310	418 306 310	418 316 310
	230-240 V AC	+/- 10 %	0,170	418 106 313	418 306 313	418 316 313
yellow	12 V AC/DC	+/- 10 %	3,200	418 107 404	418 307 404	418 317 404
	24 V AC/DC	+/- 10 %	1,700	418 107 405	418 307 405	418 317 405
	110-120 V AC	+/- 10 %	0,320	418 107 310	418 307 310	418 317 310
	230-240 V AC	+/- 10 %	0,170	418 107 313	418 307 313	418 317 313



Rotating



WMM



MMR



MSR



MGM



AKV



MBK



MQM

ACCESSORIES

Type	Type of accessory	Tube length	Weight	Order number
WMM	Metal bracket for wall mounting		340 g	818 200 900
MMR	Tube mounting Aluminium with plastic foot	50 mm		698 806 007
		100 mm		698 806 008
		250 mm		698 806 009
		400 mm		698 806 010
MSR	Tube mounting Stainless steel with die-cast zinc foot, black (powder-coated)	50 mm		698 806 021
		100 mm		698 806 022
		250 mm		698 806 023
		400 mm		698 806 024
MGM	Magnetic fixing		600 g	818 203 900
AKV	Cable gland M20x1,5			698 800 026
MBK	Earthing kit for UL-compliant installation			819 201 900
MQM	Mounting plate for UL-compliant installation			818 202 900

REPLACEMENT PARTS

Type	Type of accessory	Nominal voltage	Output	Order number
HL31	Halogen bulb	12 V	35,000 W	890 035 904
HL32	Halogen bulb	24 V	35,000 W	890 035 905
HL35	Halogen bulb	110-120 V	35,000 W	890 035 910
HL36	Halogen bulb	230-240 V	35,000 W	890 035 913