

ASS-P+QDS

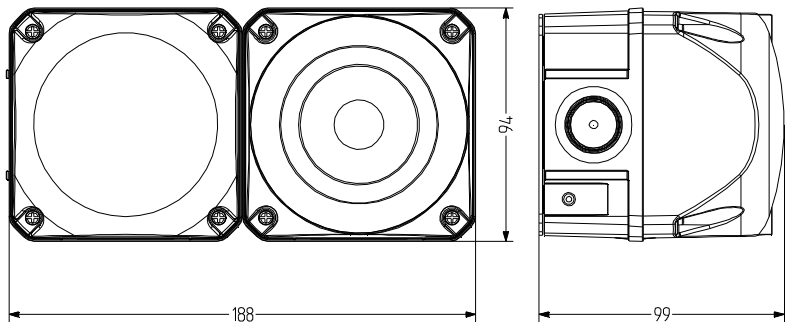
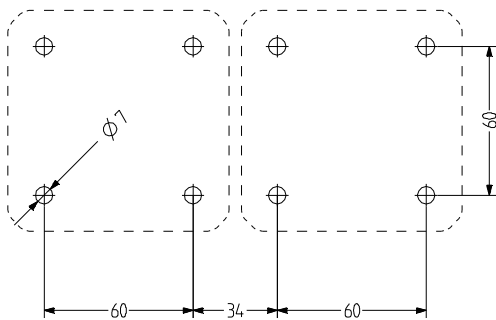
- Combination of 94 mm cubic-design multi-tone alarm sounder and LED steady/flashing beacon



- Beacon with good frontal/lateral signalling effect
- High degree of protection IP 66
- UV-stabilised material
- Piezo technology, 8 tones, max. 103 dB (A) sound pressure
- Sound pressure infinitely adjustable by potentiometer
- Types of light can be switched externally
- For industrial and general applications



Internal diffuser and special lens pattern for optimal 360° signalling effect



TECHNICAL DATA - VISUAL EQUIPMENT

Housing	94 mm (square), Polycarbonate red (RAL 3000)
Lens	Polycarbonate, ribbed inside orange, red, clear, blue, green or yellow
Type of mounting	any
Cable entry	Back: Grommet 5-10 mm, optional side cable entry with cable gland (on both sides) (accessory type AKV)
Connection technology	Screw/plug-in terminal 2,5 mm ²
Leakage current	0,003 A (PLC-suitable)
Beacon type	LED steady beacon or LED flashing beacon
Light source	16 LEDs
Luminous intensity	30 Cd
Strobe/flash frequency	1 Hz
Duty cycle	100 %
Service life	Light source: >50.000 h
Operating temperature	-30°C/+60°C
Degree of protection	IP66 & UL Type 4/4x/13
Impact resistance	IK09
Weight	200 g

TECHNICAL DATA - AUDIBLE EQUIPMENT

Housing	Polycarbonate red (RAL 3000)
Type of mounting	any, Sound outlet opening at bottom or horizontal
Cable entry	Back: Grommet 5-10 mm Side: AKV cable gland M20 x 1.5 7-14 mm can be mounted
Connection technology	Screw/plug-in terminal up to 2,5 mm ²
Leakage current	0,003 A
Tone	8 Tones, 1 Tones can be switched externally, see tone table
Volume	103 dB (can be adjusted with potentiometer)
Tone frequency	500-4.600 Hz
Duty cycle	100 %
Operating temperature	-30 °C / +60 °C
Degree of protection	IP66 & UL Type 4/4x/13
Impact resistance	IK09
Weight	300 g



ASS-P+QDS

VISUAL EQUIPMENT: QDS

Type	Lens colour	Nominal voltage	Voltage range (V)	Nominal current (A)	Order number
QDS	orange	24 V AC/DC	+/- 10 %	0,100	874 161 405
		48 V AC/DC	+/- 10 %	0,075	874 161 408
		110-120 V AC	+/- 10 %	0,085	874 161 310
		230-240 V AC	+/- 10 %	0,075	874 161 313
red	red	24 V AC/DC	+/- 10 %	0,100	874 162 405
		48 V AC/DC	+/- 10 %	0,075	874 162 408
		110-120 V AC	+/- 10 %	0,085	874 162 310
		230-240 V AC	+/- 10 %	0,075	874 162 313
clear	clear	24 V AC/DC	+/- 10 %	0,100	874 164 405
		48 V AC/DC	+/- 10 %	0,075	874 164 408
		110-120 V AC	+/- 10 %	0,085	874 164 310
		230-240 V AC	+/- 10 %	0,075	874 164 313
blue	blue	24 V AC/DC	+/- 10 %	0,100	874 165 405
		48 V AC/DC	+/- 10 %	0,075	874 165 408
		110-120 V AC	+/- 10 %	0,085	874 165 310
		230-240 V AC	+/- 10 %	0,075	874 165 313
green	green	24 V AC/DC	+/- 10 %	0,100	874 166 405
		48 V AC/DC	+/- 10 %	0,075	874 166 408
		110-120 V AC	+/- 10 %	0,085	874 166 310
		230-240 V AC	+/- 10 %	0,075	874 166 313
yellow	yellow	24 V AC/DC	+/- 10 %	0,100	874 167 405
		48 V AC/DC	+/- 10 %	0,075	874 167 408
		110-120 V AC	+/- 10 %	0,085	874 167 310
		230-240 V AC	+/- 10 %	0,075	874 167 313

AUDIBLE EQUIPMENT: ASS-P

Type	Nominal voltage	Voltage range (V)	Nominal current (A)	Mains frequency	Order number
ASS-P	24 V AC/DC	+/- 10 %	0,100	50-60 Hz	874 060 405
	48 V AC/DC	+/- 10 %	0,075	50-60 Hz	874 060 408
	110-120 V AC	+/- 10 %	0,040	50-60 Hz	874 060 310
	230-240 V AC	+/- 10 %	0,410	50-60 Hz	874 060 313



AMK



AB1



AG1



AKV



AW1

ACCESSORIES

Type	Type of accessory	Weight	Order number
AMK	Mounting set for combining several pieces of signalling equipment of the same size	10 g	874 010 900
AB1	Mounting set for metal bracket for mounting in any direction (e.g. on mounting platforms)		874 031 900
AG1	Flat seal for correct IP66 installation on smooth surfaces		874 021 900
AKV	Cable gland M20x1,5		698 800 026
AW1	Stainless steel bracket		874 041 900

STONE TABLE

STAGE 1 S1	Tone type	Frequency Hz	Pictogram	Repeat rate	Specific Application	max dB
Tone 01	continuous	4600 Hz	—————			103
Tone 02	continuous	1600 Hz	—————			99
Tone 03	intermittent	4600 Hz	— — —	250 ms on, 250 ms off		103
Tone 04	intermittent	1600 Hz	— — —	250 ms on, 250 ms off		99
Tone 05	sweeping	1200 - 500 Hz	∩	1 Hz	evacuation Germany DIN 33404-3	96
Tone 06	sweeping	500 - 1200 Hz	∪	rising in 3 s, 0,5 s off	Netherlands NEN 2575:2000	98
Tone 07	alternating	800 - 1000 Hz	□	2 Hz		94
Tone 08	sweeping	500 - 1500 Hz	∩	10 Hz		94

