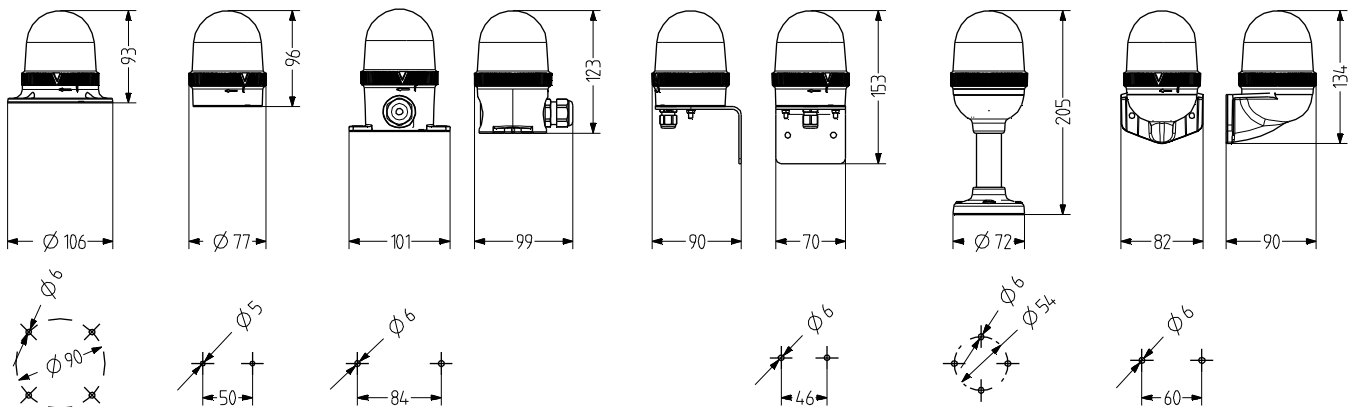


TDF LED multi strobe beacon

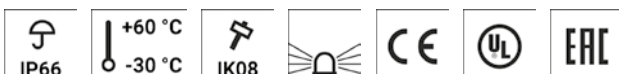
- Ø 75 mm LED multi-strobe beacon
- Very good signalling effect
- Modular design, user-friendly connection technology
- High degree of protection IP 66 & impact resistance IK08
- Modern LED technology and electronics
- 2 different strobe patterns, can be switched externally
- For industrial and general applications
- Can be extended with TDE acoustic module as an option



TECHNICAL DATA

Housing	Ø 75 mm, Polycarbonate black (RAL 9005)
Lens	Polycarbonate, ribbed inside orange, red, clear, blue, green or yellow
Type of mounting	horizontal, vertical or Tube mounting
Cable entry	depending on base
Connection technology	Screw terminal 2,5 mm ²
Leakage current	0,003 A (PLC-suitable)
Beacon type	LED multi strobe beacon

Light source	16 LEDs
Strobe/flash frequency	6x strobe/multi strobe 1 Hz
Duty cycle	100 %
Service life	Light source: >50.000 h
Operating temperature	-30°C/+60°C
Degree of protection	IP66 & UL Type 4/4x/13
Impact resistance	IK08
Weight	86 g



TDF

ORDER DATA - LENS

Lens colour	Nominal voltage	Voltage range (V)	Nominal current (A)	Order number
orange	24 V AC/DC	18-27 V AC	0,250	859 511 405
		20-32 V DC	0,190	
	110-120 V AC	75-132	0,042	859 511 310
	230-240 V AC	150-264	0,042	859 511 313
red	24 V AC/DC	18-27 V AC	0,250	859 512 405
		20-32 V DC	0,190	
	110-120 V AC	75-132	0,042	859 512 310
	230-240 V AC	150-264	0,042	859 512 313
clear	24 V AC/DC	18-27 V AC	0,250	859 514 405
		20-32 V DC	0,190	
	110-120 V AC	75-132	0,042	859 514 310
	230-240 V AC	150-264	0,042	859 514 313
blue	24 V AC/DC	18-27 V AC	0,250	859 515 405
		20-32 V DC	0,190	
	110-120 V AC	75-132	0,042	859 515 310
	230-240 V AC	150-264	0,042	859 515 313
green	24 V AC/DC	18-27 V AC	0,250	859 516 405
		20-32 V DC	0,190	
	110-120 V AC	75-132	0,042	859 516 310
	230-240 V AC	150-264	0,042	859 516 313
yellow	24 V AC/DC	18-27 V AC	0,250	859 517 405
		20-32 V DC	0,190	
	110-120 V AC	75-132	0,042	859 517 310
	230-240 V AC	150-264	0,042	859 517 313



Strobe



TMW



TMF



TMV



TMR



TNL



TNW

ORDER DATA - BASE

Type	Type of accessory	Tube length	Weight	Order number
TMW	Base for horizontal mounting, with internal mounting holes		46 g	859 500 900
TMF	Base for horizontal mounting, with external mounting holes		71 g	859 510 900
TMV	Base for vertical mounting		83 g	859 520 900
TMR	Tube base for tube mounting, with aluminium tube/plastic foot	100 mm	128 g	859 532 900
		250 mm	176 g	859 533 900
TNL	Base for horizontal mounting, with side cable entry		94 g	859 515 900
TNW	Tube base for NPT 1/2" tube mounting		54 g	859 540 900



TVS



XWR

ACCESSORIES

Type	Type of accessory	Weight	Order number
TVS	Metal bracket made possible with TMW cable entry from bottom (incl. cable gland M12 × 1.5)	218 g	859 550 900
XWR	Bracket for vertical mounting of TMR/UMR tube base	95 g	900 600 900